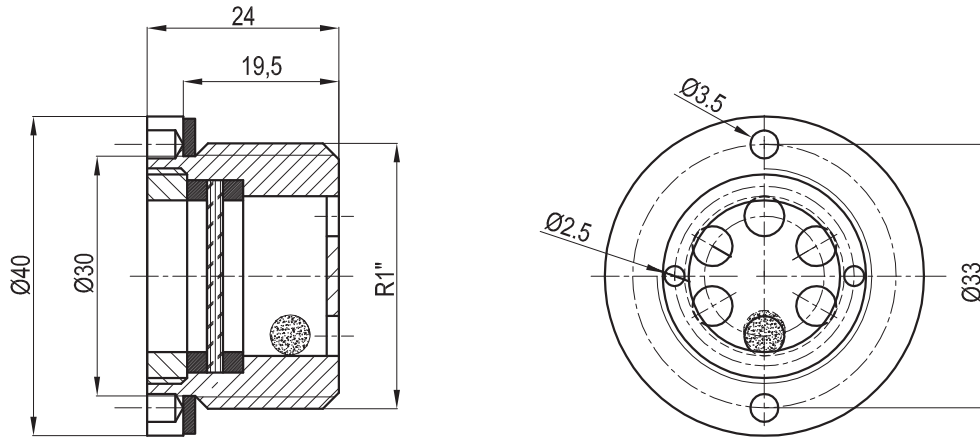


OIL LEVEL INDICATOR R1" (FOR HERMETICALLY SEALED TYPE TRANSFORMERS)

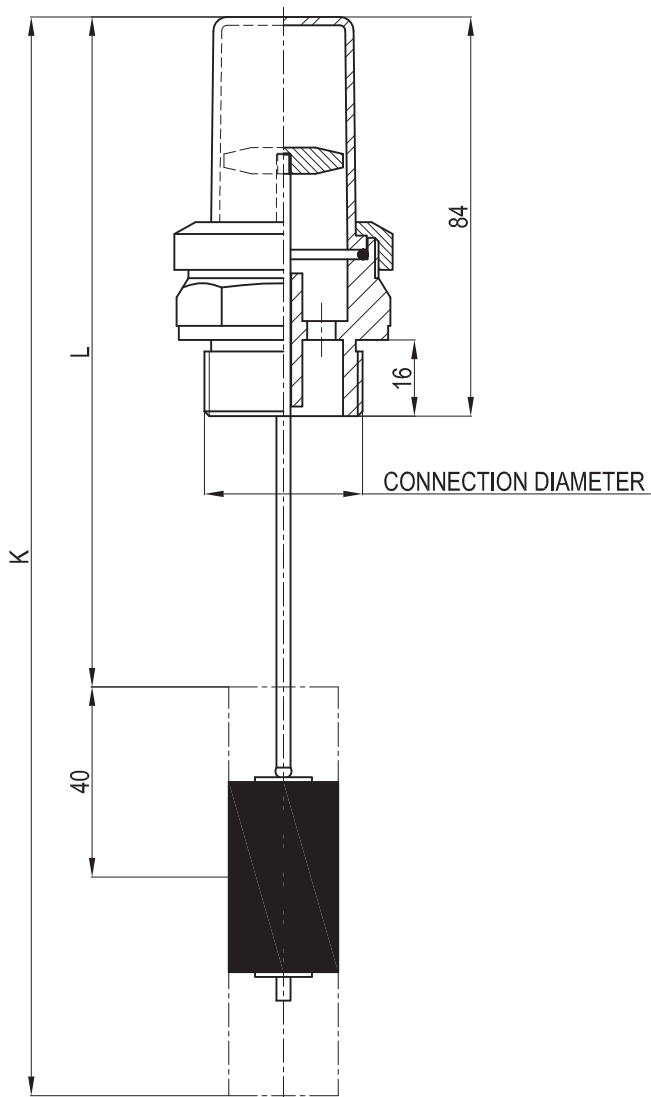
TYPE: OIL-C

CODE NO: 431



OIL LEVEL INDICATOR VERTICAL (FOR HERMETICALLY SEALED TYPE TRANSFORMERS)

TYPE: OIL-D



CONNECTION DIAMETER	K	L
R1"	227	141
R2"	227	141
R1"	267	181
R2"	267	181