

ERKAR

Transformer
Accessories and Equipments



EN





EN STANDART COMPLETE BUSHINGS WITH INSULATORS

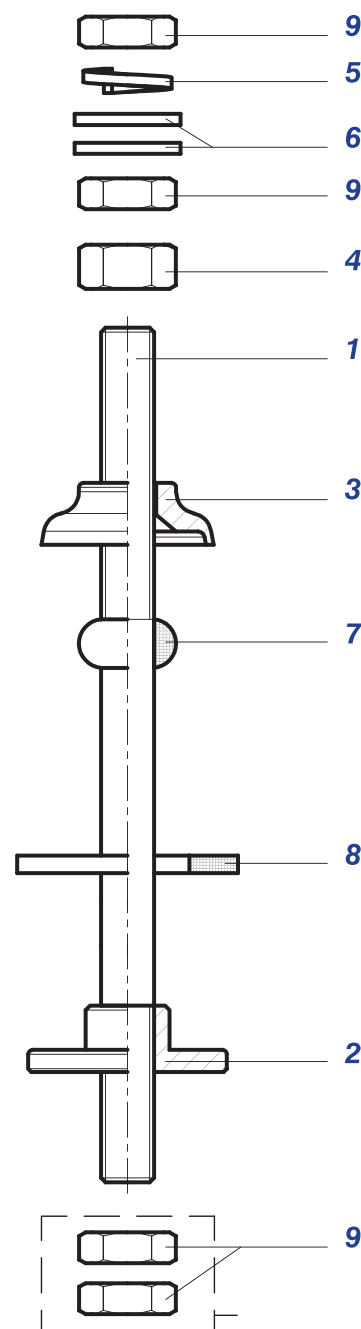
Pass connections for insulators of EN50386 transformers
Nominal Voltage until 1 kV - 250 ÷ 630 A

CLASS	1 kV / 250 A	1 kV / 250 A	1 kV / 630 A
TYPE	1	2	3

Pos.refer.	Q.ty	Description
1	1	Connecting bolt
2	1	Ring nut
3	1	Washer 90°
4	1	Nut
5	1	Spring washer
6	2	Brass washer
7	1	J gasket
8	1	N gasket
9	2	Nut

On request: Gasket

-  NBR
-  Viton
-  Fl. Silicon
-  Silicon



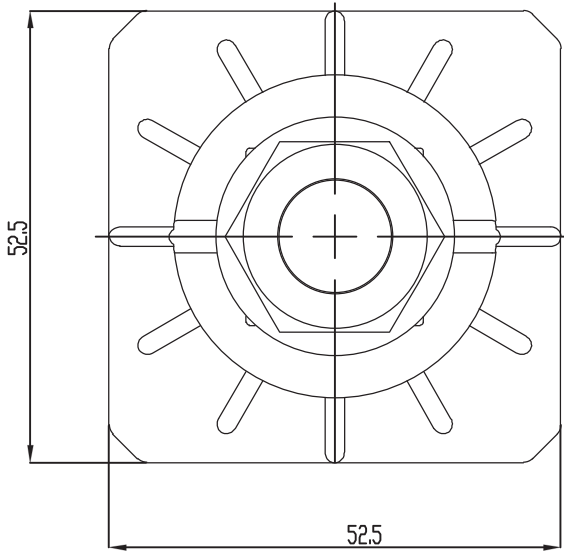


EN

Complete bushings with insulators

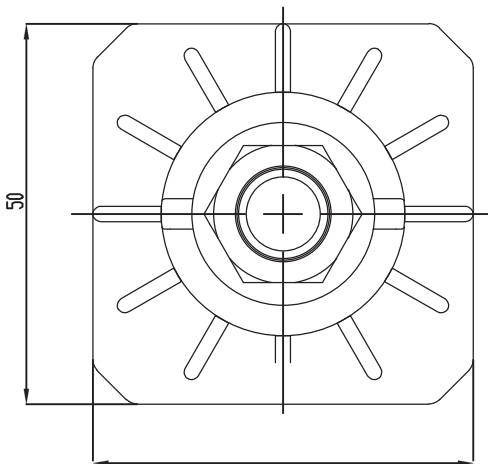
Complete bushings with insulators for transformers EN 50386
Nominal Voltage until 1 kV - 250 ÷ 630 A

Class	Type	L1	L2	L3	L5	e	d1	d2	d3	d4	d5	d6	d7
		max	min	min	max	max		max	(+0 +2)	max	max	max	max
1/250	1	138	30	40	70	6	M12	56	28	60	56	43	27
1/250	2	170	30	30	70	6	M12	56	34	60	70	43	33
1/630	3	178	30	65	82	6	M20	70	45	85	70	56	43



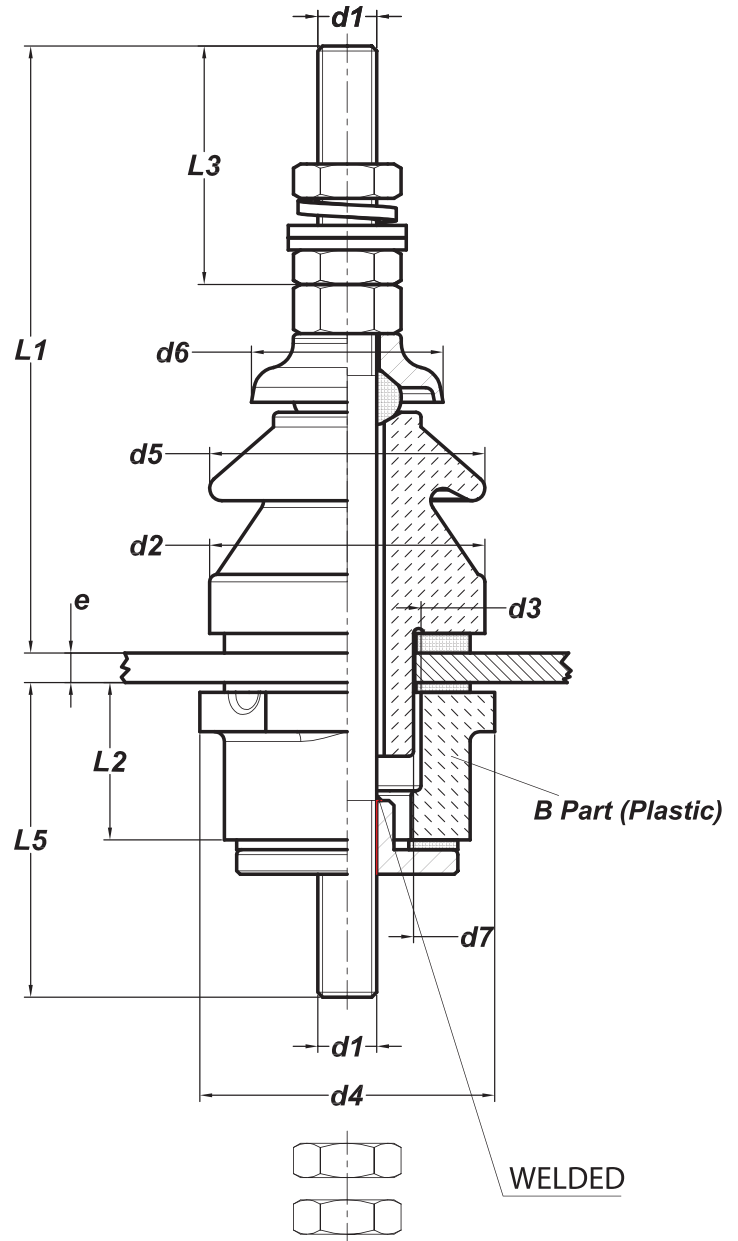
WIEV A

630 A. (B Part)



WIEV A

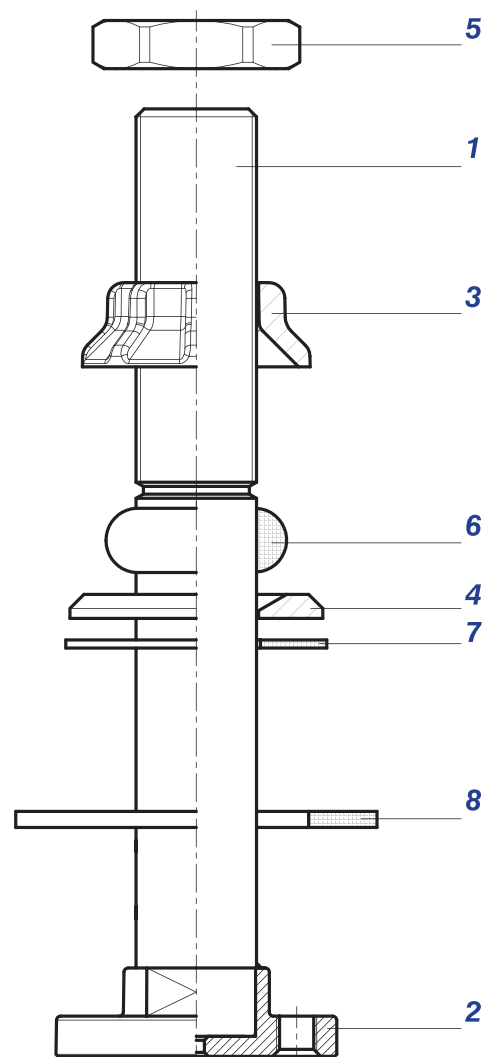
250 A. (B Part)



Pass connections for insulators of EN50386 transformers
 Nominal Voltage until 1 kV - 1250 ÷ 3150 A

CLASS	1/1250	1/2000	1/3150
TYPE	4	5	6

Pos. refer.	Q.ty	Description
1	1	Connecting bolt
2	1	Ring nut
3	1	Washer 90°
4	1	Washer 120°
5	1	Nut
6	●●●● 1	J gasket
7	●●●● 1	M gasket
8	●●●● 1	N gasket



On request: Gasket

- NBR
- Viton
- Fl. Silicon
- Silicon

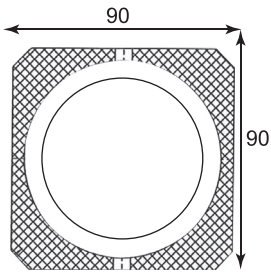


EN

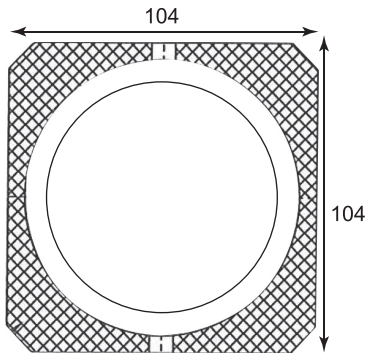
Complete bushings with insulators

Complete bushings with insulators for transformers EN 50386
Nominal Voltage until 1 kV - 1250 ÷ 3150 A

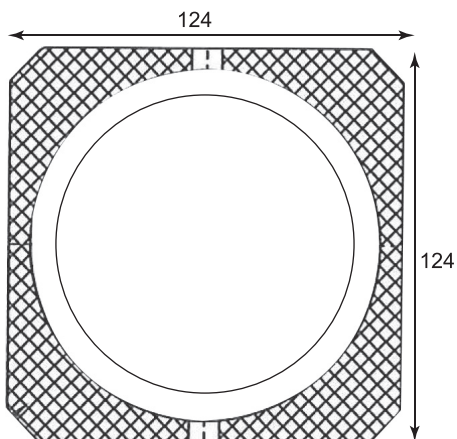
Class	Type	L1 max	L2 min	L3 min	L5 max	e max	d1	d2 max	d3 (+0 +2)	d4 max	d5 max	d6 max	d7 max
1/1250	4	200	35	70	62	6	M30x2	90	56	110	90	68	54
1/2000	5	240	35	90	72	10	M42x3	104	70	125	104	85	68
1/3150	6	250	35	90	75	10	M48x3	125	90	150	125	100	87



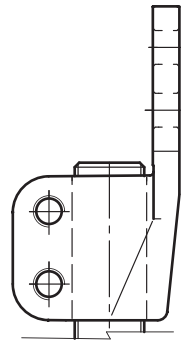
1/1250 B plastic part



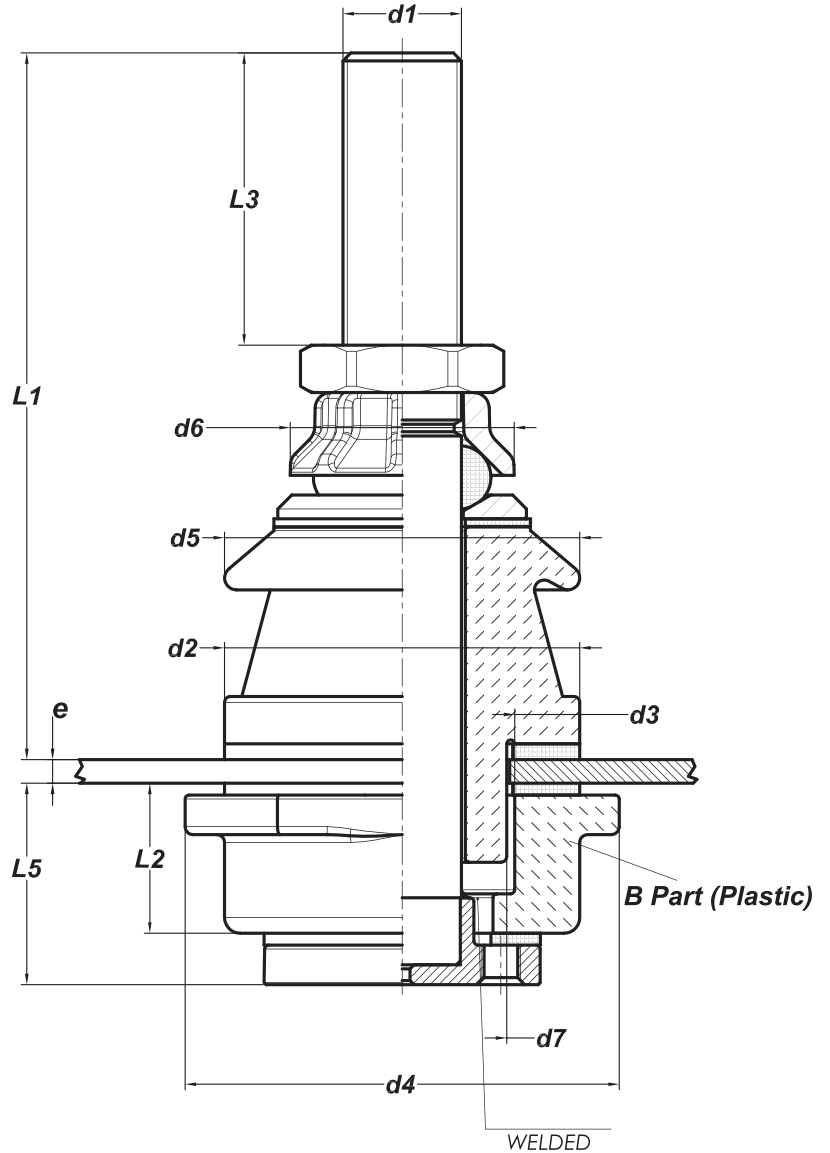
1/2000 B plastic part



1/3150 B plastic part






DIN







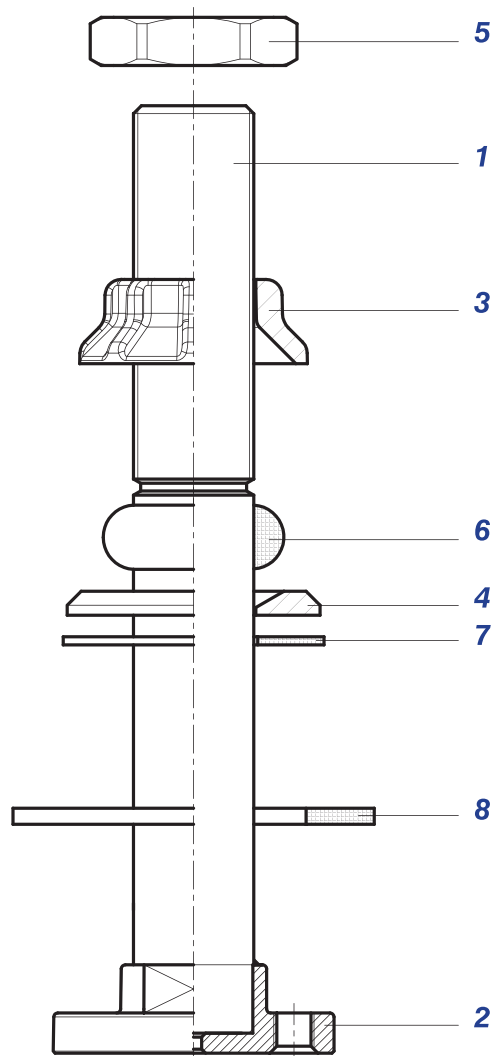
Pass connections for insulators of EN50386 transformers
Nominal Voltage until 1 kV - 4000 ÷ 5000 A

CLASS	1/4000	1/5000
TYPE	7	8

Pos.refer.	Q.ty	Description
1	1	Connecting bolt
2	1	Ring nut
3	1	Washer 90°
4	1	Washer 120°
5	1	Nut
6	 1	J Gasket
7	 1	M Gasket
8	 1	N Gasket

On request: Gasket

-  NBR
-  Viton
-  Fl. Silicon
-  Silicon





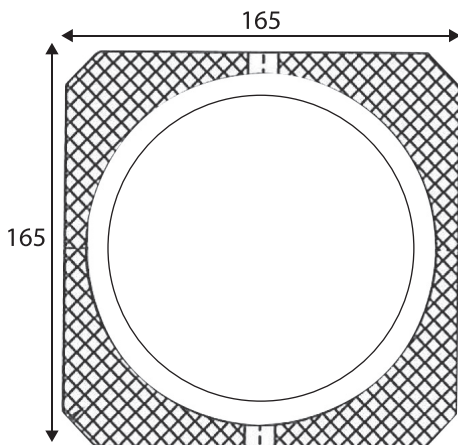
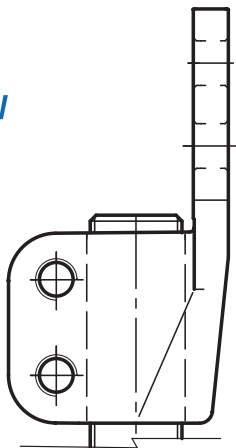
EN

Complete bushings with insulators

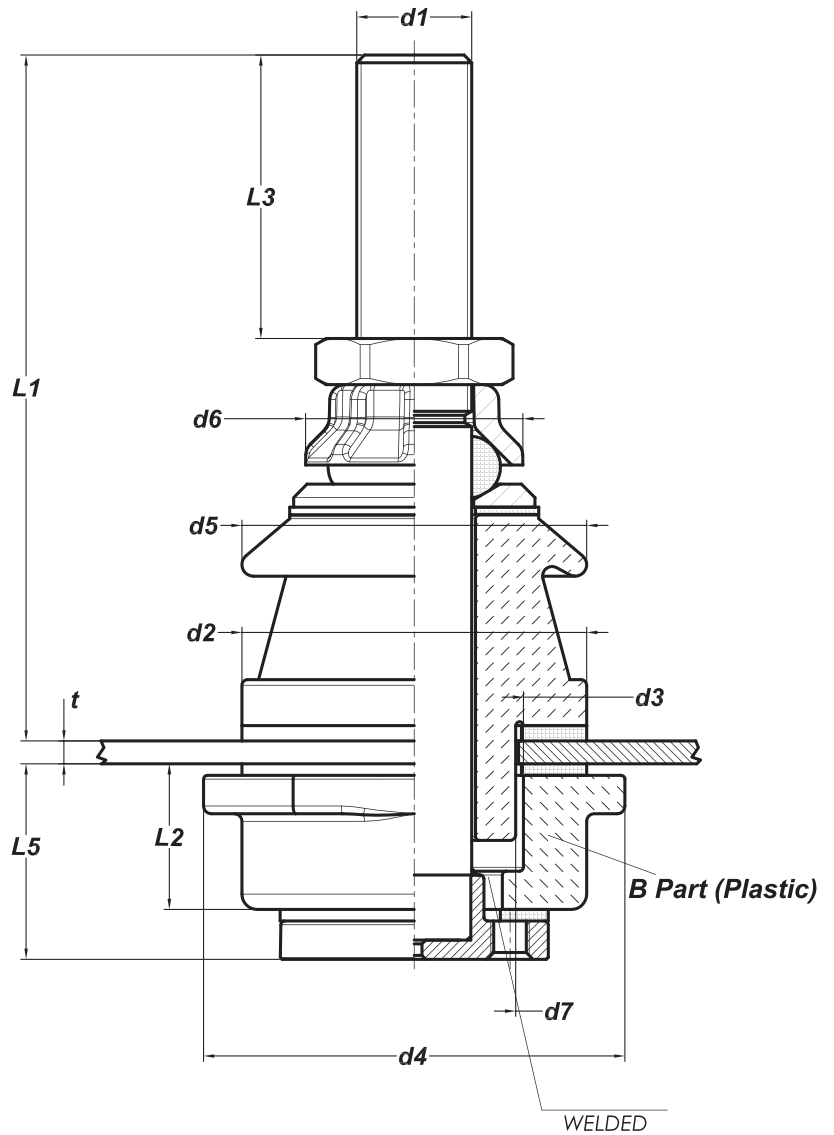
Complete bushings with insulators for transformers EN 50386
Nominal Voltage until 1 kV - 4000 ÷ 5000 A

Class	Type	L1 max	L2 min	L3 min	L5 max	e max	d1	d2 max	d3 (+0 +2)	d4 max	d5 max	d6 max	d7 max
1/4000	7	300	40	110	87	10	M55x3	160	118	180	180	129	115
1/5000	8	310	40	110	110	10	M58x3	160	118	180	180	135	115

DIN



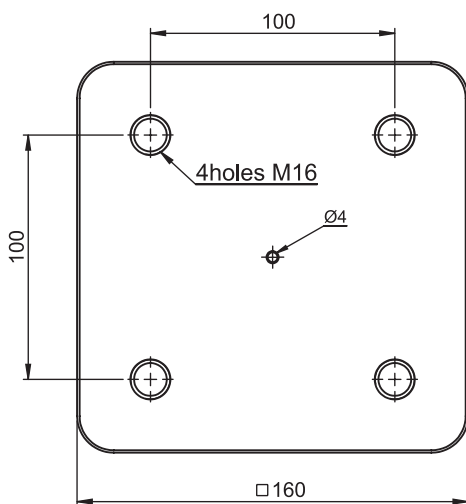
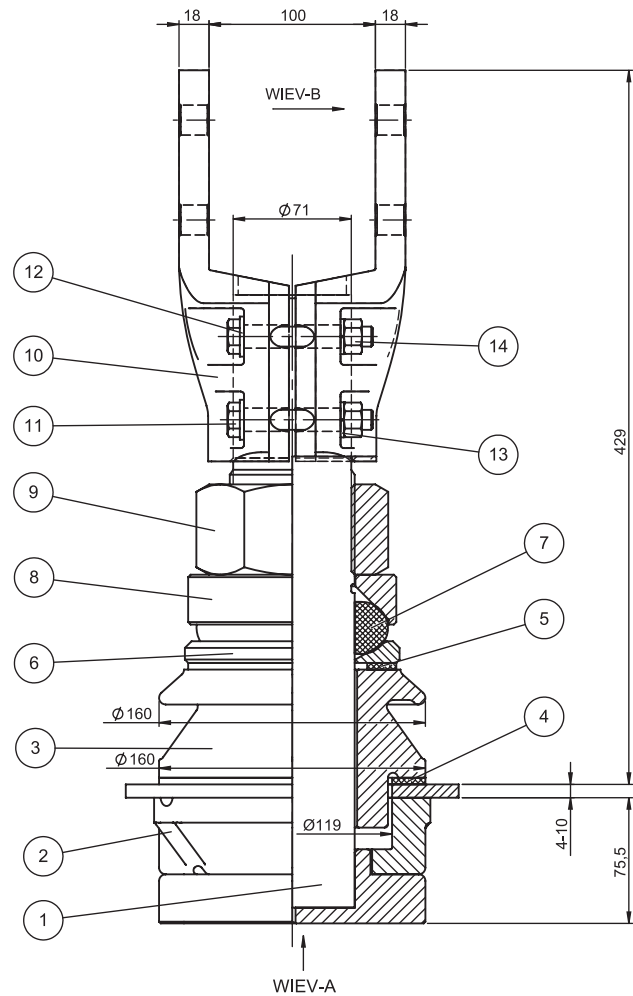
1/4000-1/5000 B plastic part



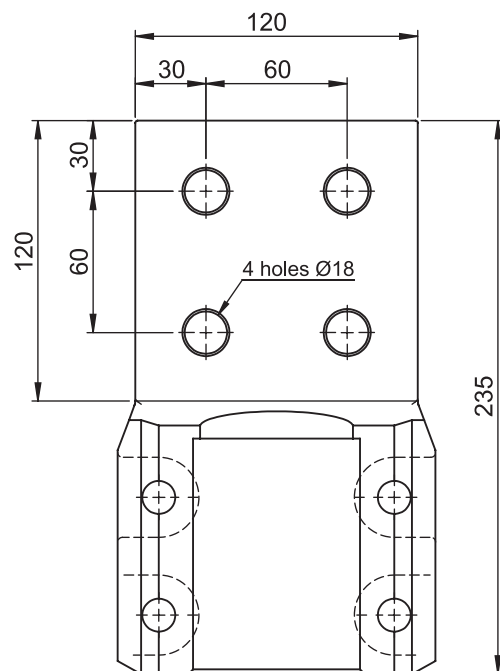
Pos.refer.	Q.ty	Description
14	1	Nut M12
13	1	Washer
12	1	Washer M12
11	1	Bolt
10	1	Flag
9	1	Nut
8	1	E Cap
7	2	J Gasket
6	2	G Washer
5	1	M Gasket
4	1	N Gasket
3	1	Top Porcelain
2	1	Porcelain B Part (Plastic)
1	1	Stem

On request: Gasket

- NBR
- Viton
- Fl. Silicon
- Silicon



WIEV-A

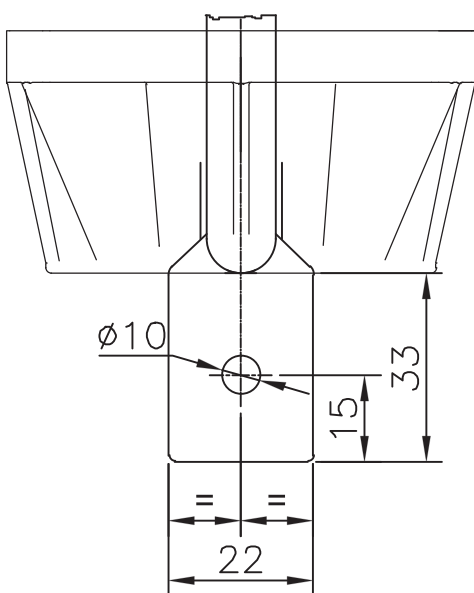


WIEV-B

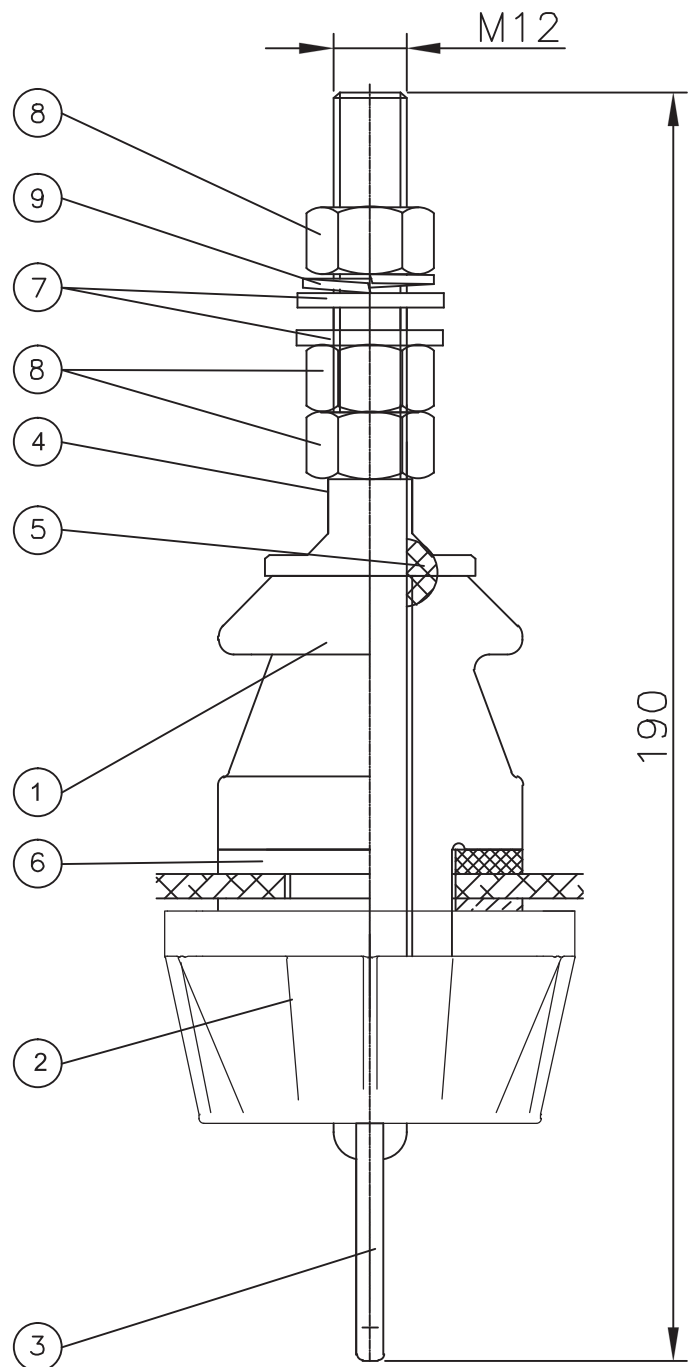
Pos. refer.	Q.ty	Description
1		Top Porcelain A
2		Bottom Part B (plastic)
3		Connecting Bolt
4		Cap
5	● ● ● ●	J Gasket
6	● ● ● ●	N Gasket
7		Flat Washer
8		Nut
9		Spring Washer

On request: Gasket

- NBR
- Viton
- Fl. Silicon
- Silicon



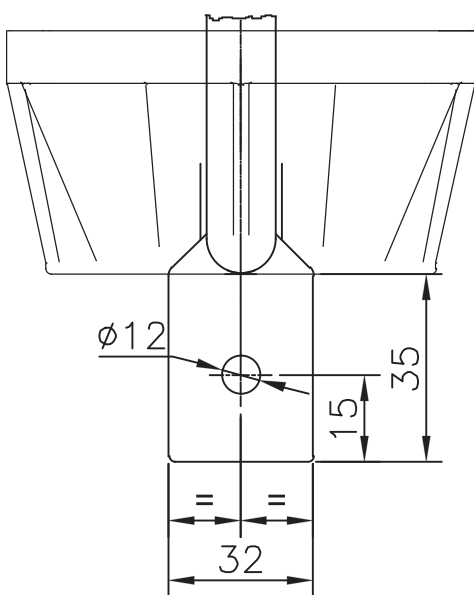
WIEV A



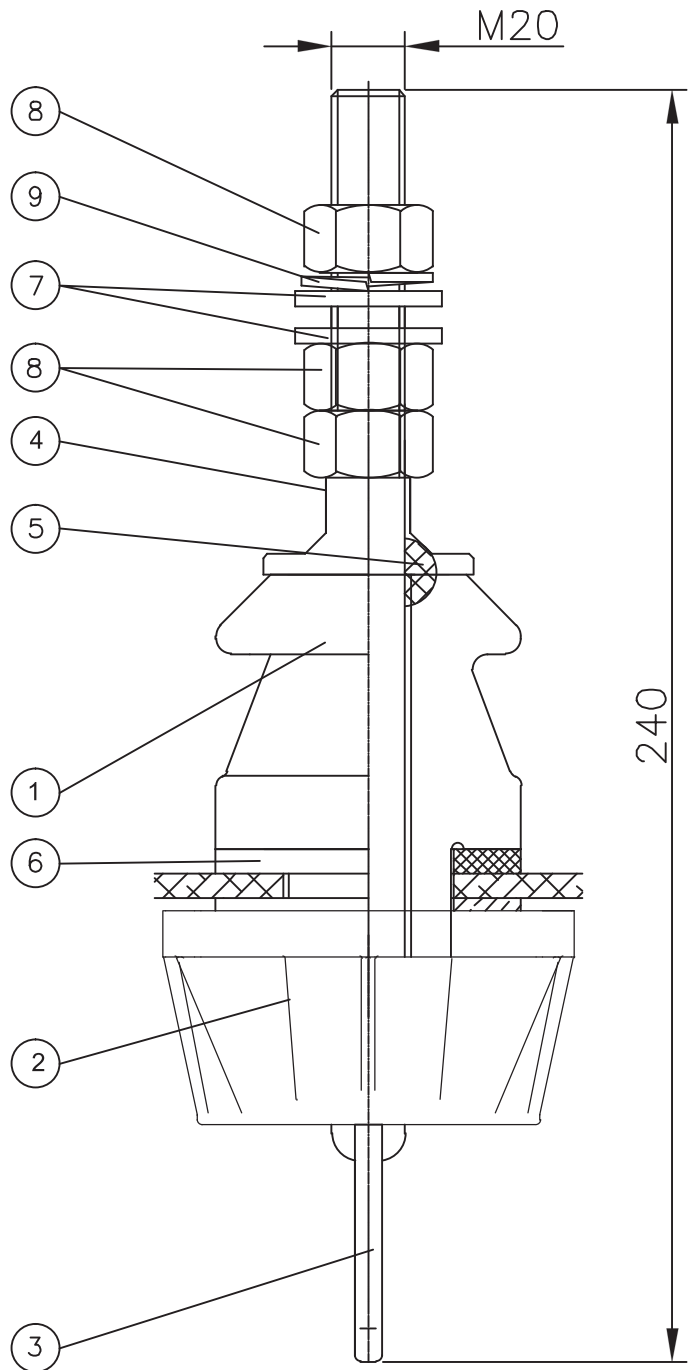
Pos. refer.	Q.ty	Description
1		Top Porcelain A
2		Bottom Part B (plastic)
3		Connecting Bolt
4		Cap
5		J Gasket
6		N Gasket
7		Flat Washer
8		Nut
9		Spring Washer

On request: Gasket

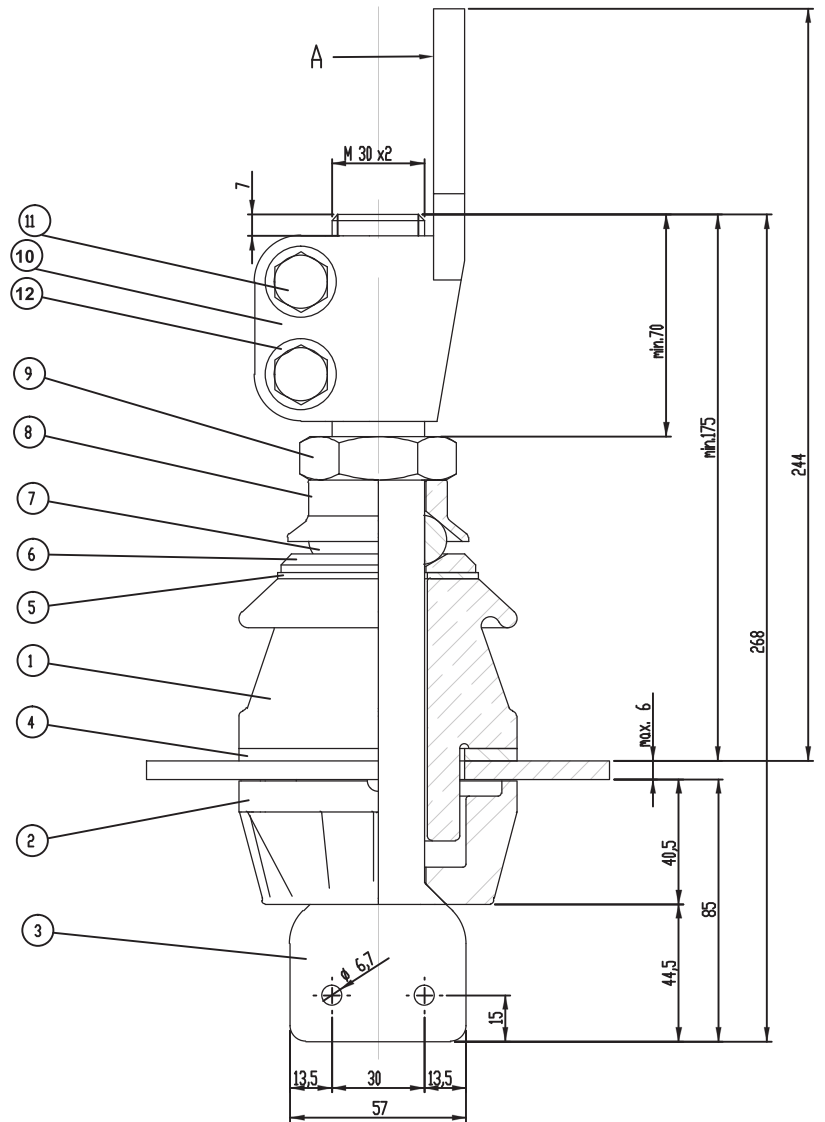
- NBR
- Viton
- Fl. Silicon
- Silicon



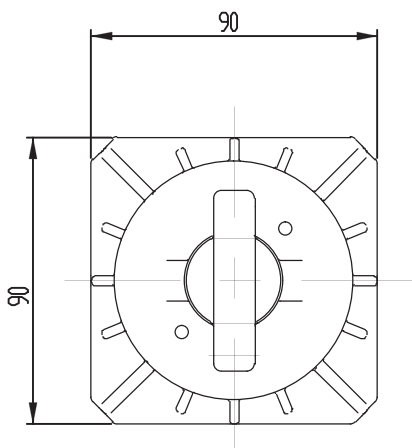
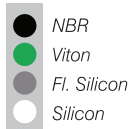
WIEV A



Pos. refer.	Q.ty	Description
1	1	Top Porcelain
2	1	Bottom Part B (Plastic)
3	1	Connecting Bolt
4	1	N Gasket
5	1	M Gasket
6	1	Washer 120
7	1	j Gasket
8	1	Cap
9	1	Nut
10	1	Flag
11	2	Bolt
12	2	Washer



On request: Gasket

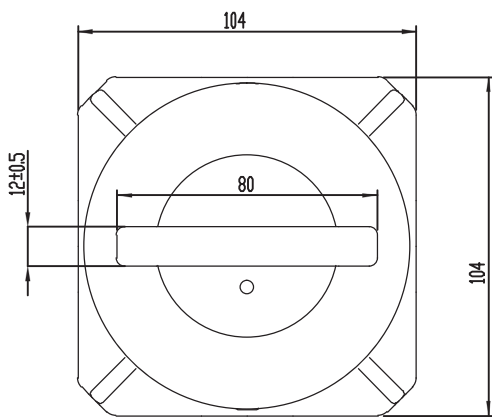
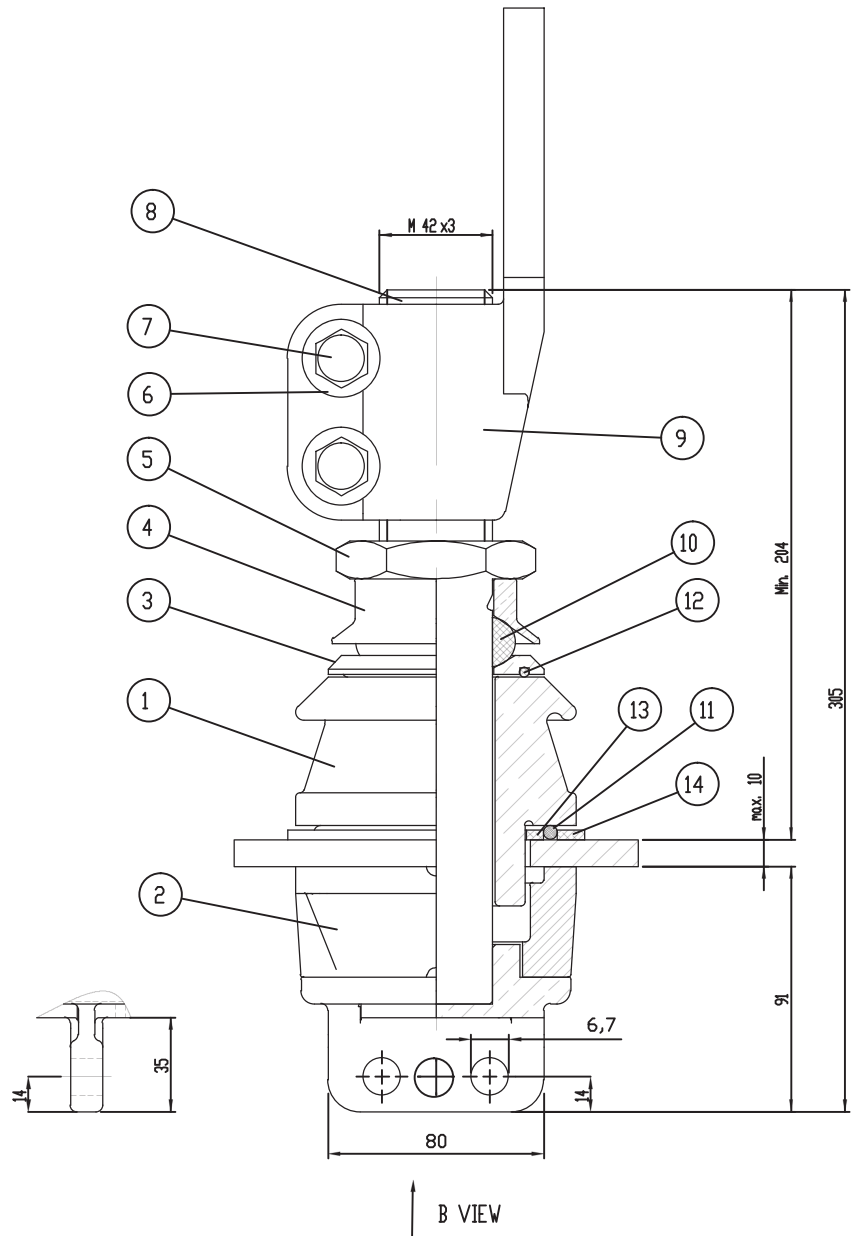


B VIEW

Pos. refer.	Q.ty	Description
1	1	Top Porcelain
2	1	Bottom Part B (Plastic)
3	1	Washer 120
4	1	Cap
5	1	Nut
6	2	Washer
7	2	Bolt
8	1	Connecting Bolt
9	1	Flag
10	1	J Gasket
11	1	O'Ring
12	1	O'Ring
13	1	Aluminium Gasket
14	1	Aluminium Gasket

On request: Gasket

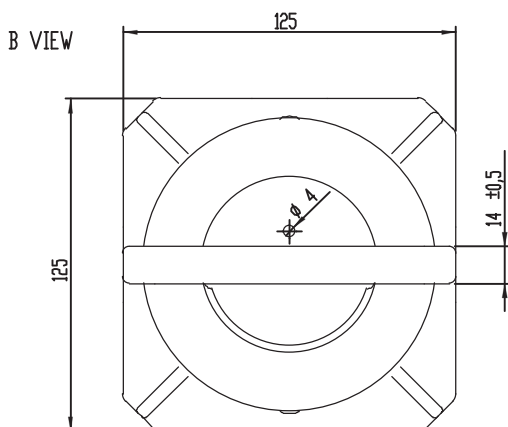
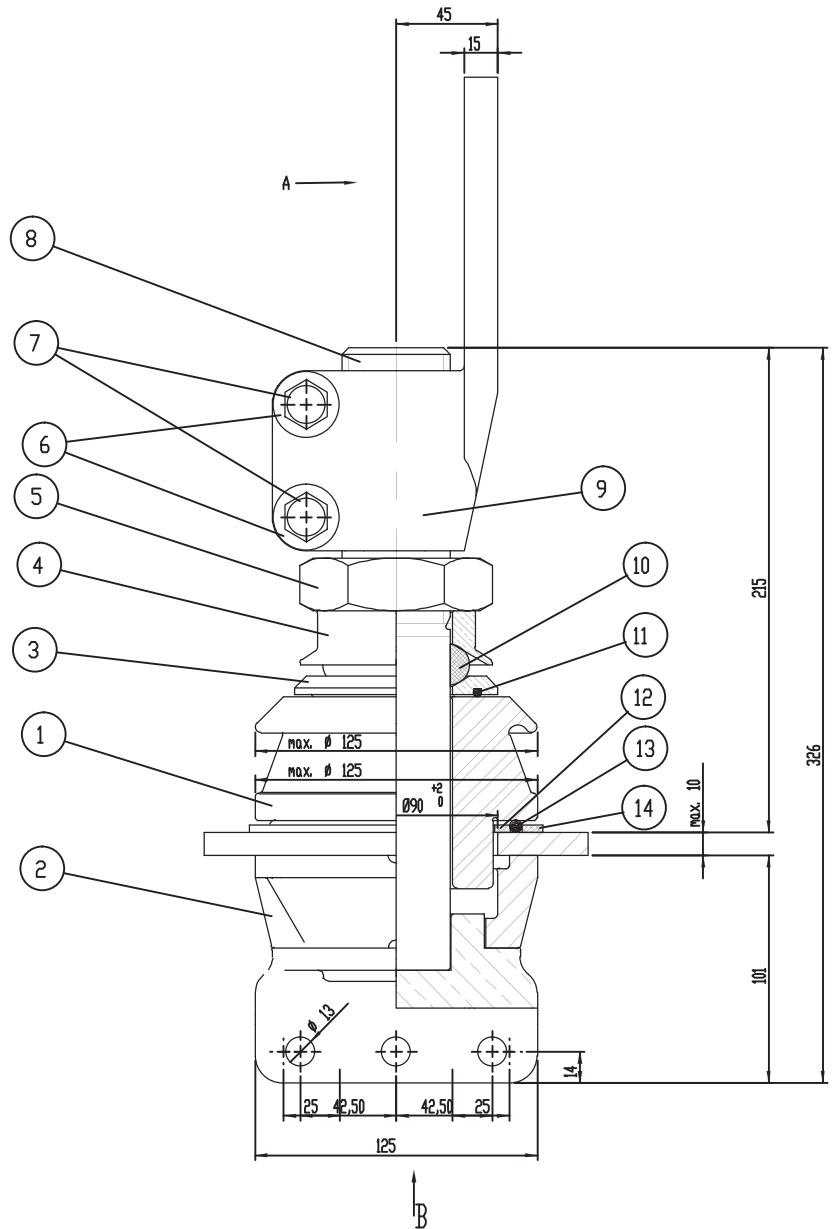
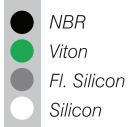
- NBR
- Viton
- Fl. Silicon
- Silicon



B VIEW





Pos.refer.	Q.ty	Description
1	1	Top Porcelain
2	1	Bottom Part B (Plastic)
3	1	Washer 120
4	1	Cap
5	1	Nut
6	2	Washer
7	2	Bolt
8	1	Connecting Bolt
9	1	Flag
10	1	J Gasket
11	1	O'Ring
12	1	Aluminium Gasket
13	1	O'Ring
14	1	Aluminium Gasket

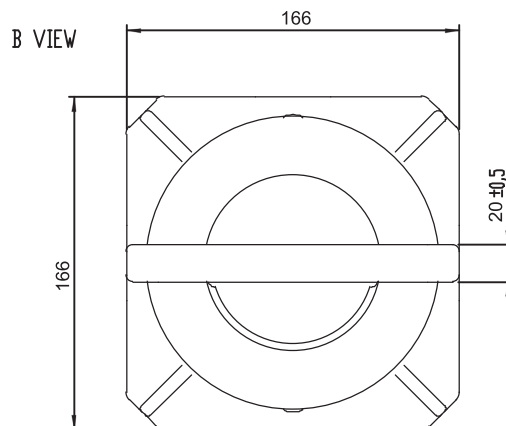
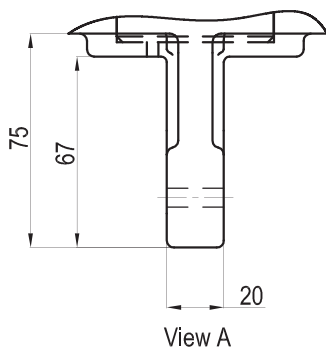
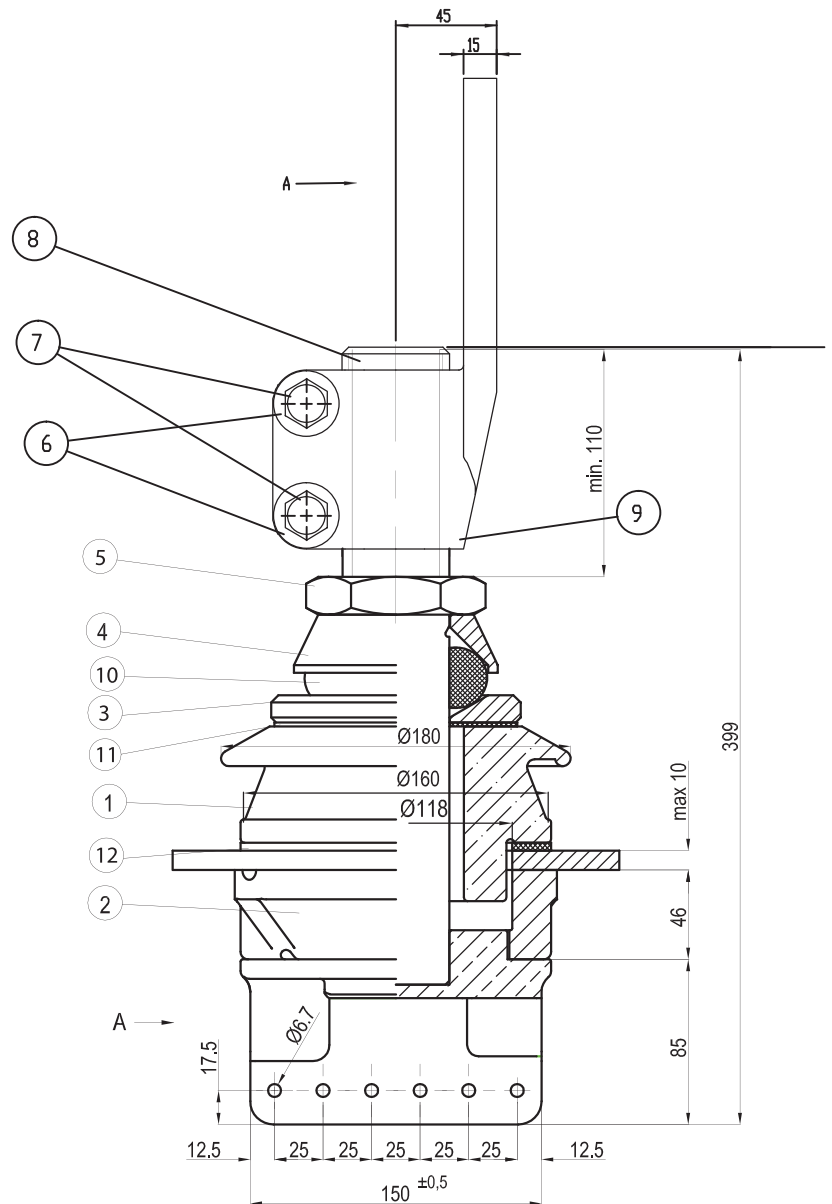
On request: Gasket



Pos. refer.	Q.ty	Description
1	1	Top Porcelain
2	1	Bottom Part B (Plastic)
3	1	Washer 120
4	1	Cap
5	1	Nut
6	2	Washer
7	2	Bolt
8	1	Connecting Bolt
9	1	Flag
10	 1	J Gasket
11	 1	M Gasket
12	 1	N Gasket

On request: Gasket

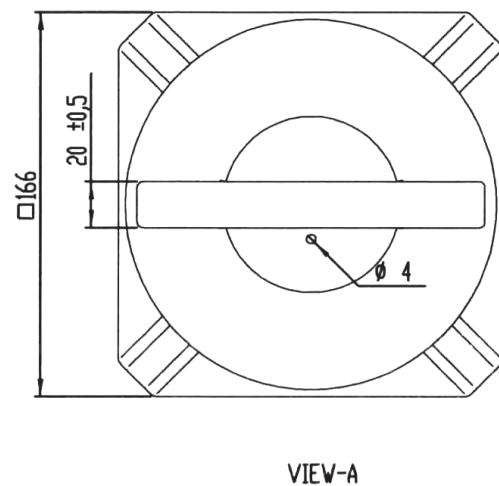
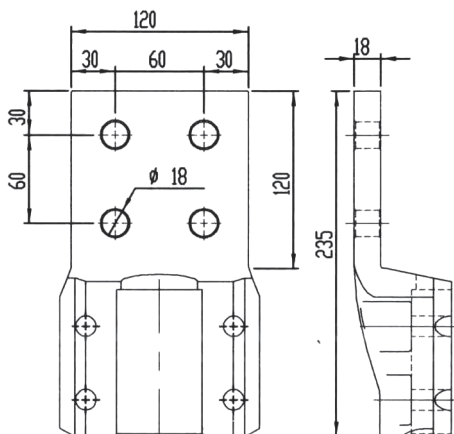
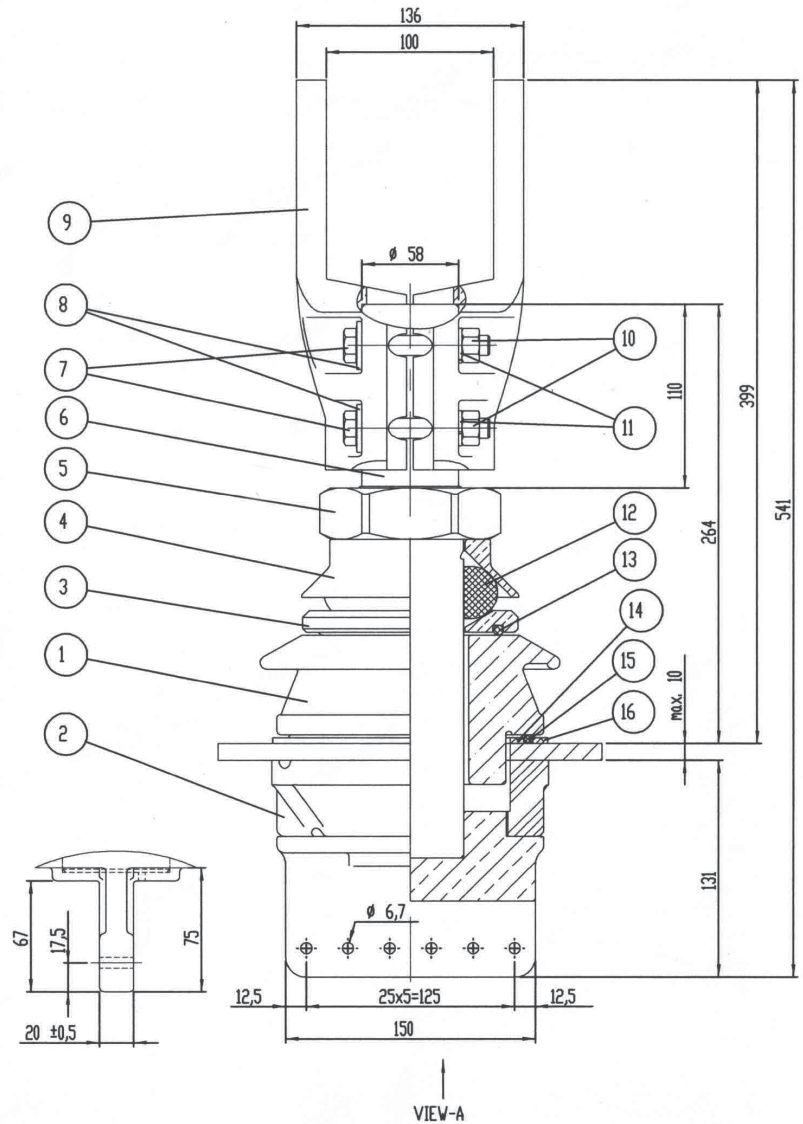
-  NBR
-  Viton
-  Fl. Silicon
-  Silicon



Pos. refer.	Q.ty	Description
1	1	Top Porcelain
2	1	Bottom Part B (Plastic)
3	1	Washer 120
4	1	Cap
5	1	Nut
6	1	Connecting Bolt
7	4	Bolt
8	4	Washer
9	1	Flag
10	1	Nut
11	4	Washer
12	1	J Gasket
13	1	O'Ring
14	1	O'Ring
15	1	Aliminium Gasket
16	1	Aliminium Gasket

On request: Gasket

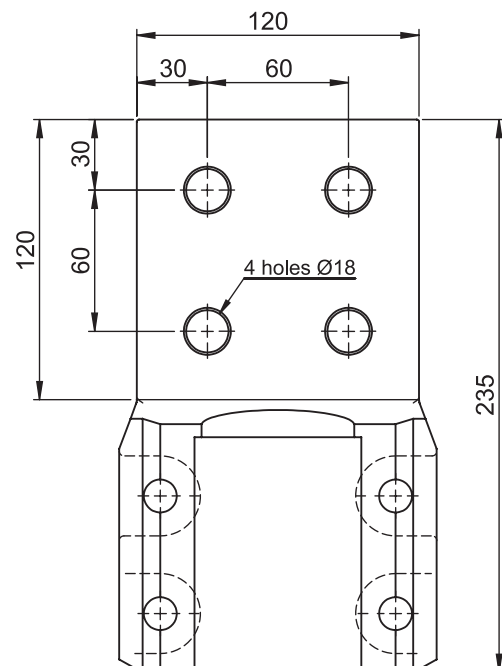
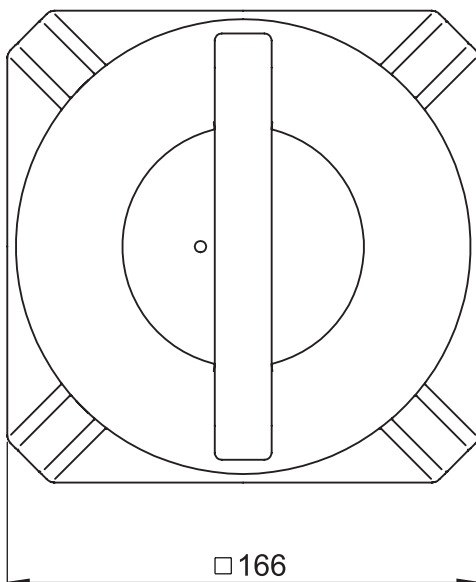
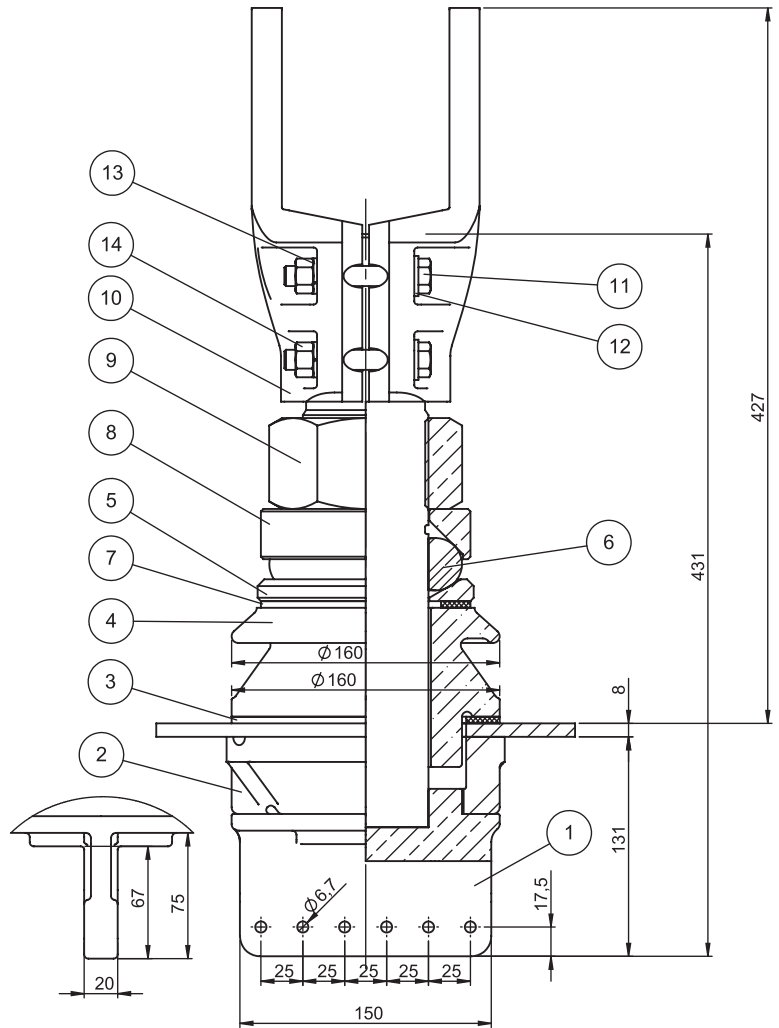
- NBR
- Viton
- Fl. Silicon
- Silicon



Pos. refer.	Q.ty	Description
1	1	Stem
2	1	Porcelain B Part (Plastic)
3	1	N Gasket
4	1	Top Porcelain
5	1	G Washer
6	1	J Gasket
7	1	M Gasket
8	1	E Cap
9	1	Nut
10	1	Flag
11	4	Nut
12	4	Washer
13	4	Washer
14	4	Nut

On request: Gasket

- NBR
- Viton
- Fl. Silicon
- Silicon











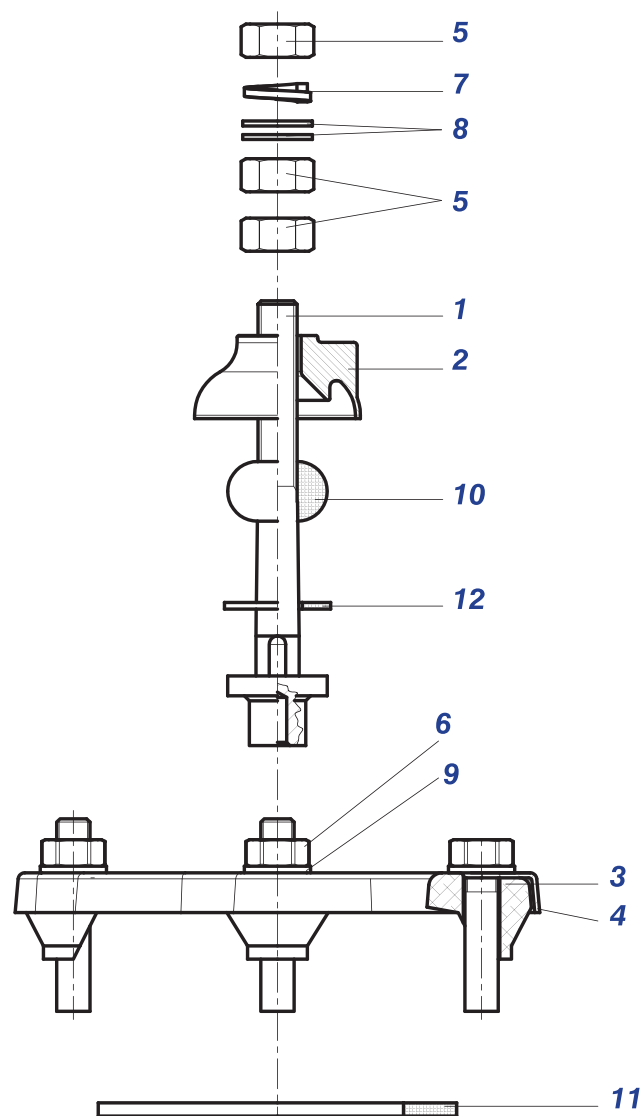
Pass connections for insulators of EN 50180 transformers
Nominal Voltage 12-24-36 kV - Nominal current 250 A

CLASS	12-24-36/250
TYPE	1-2-3-4-5

Pos.refer.	Q.ty	Description
1	1	Clamping threaded bolt
2	1	Cap
3	4	Alu. Clamping
4	1	Fixing ring
5	3	Nut
6	4	Nut
7	1	Spring washer
8	2	Brass washer
9	4	Flat washer
10	1	J gasket
11	1	N gasket
12	1	O gasket

On request: Gasket

	NBR		St.
	Viton		Inox
	Fl. Silicon		Alu.
	Silicon		
	Klingrit		



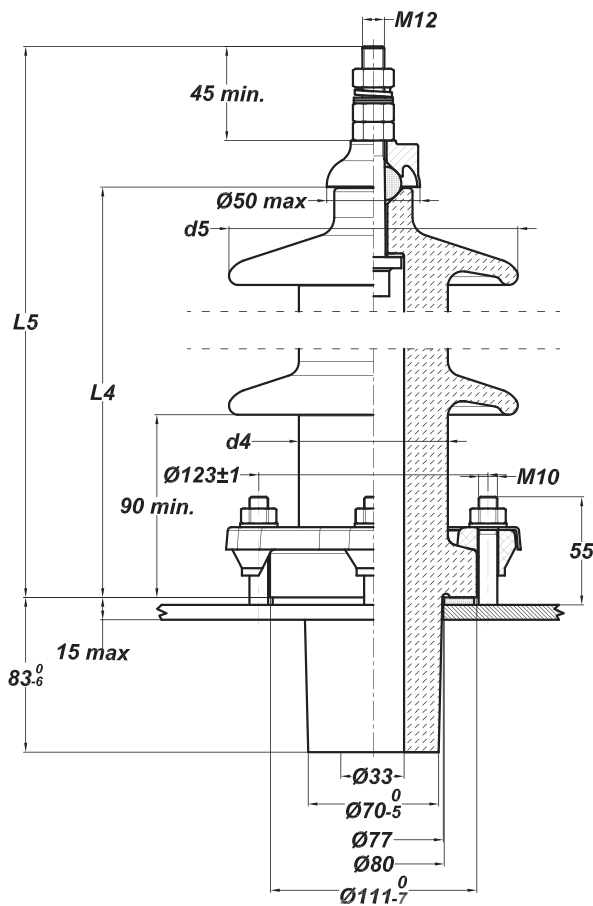


EN

Complete bushings with insulators

Complete bushings with insulators for transformers EN 50180
 Nominal Voltage 12-24-36 kV - Nominal current 250 A

Type	Designation	(kV)	Min. nominal creepage distance				Arcing distance	L4 max	L5 max	d4 max	d5 max
			Pollution level								
			I	II	III	IV					
1	12-250/P1	12	192	-	-	-	145	300	40	110	87
	12-250/P2	12	-	240	-	-					
2	12-250/P4	12	-	-	300	372	260	310	40	110	110
	24-250/P2	24	384	480	-	-					
3	24-250/P3	24	-	-	600	-	315	357	437	80	155
	36-250/P1	36	576	-	-	-					
4	24-250/P4	24	-	-	-	744	465	516	596	80	155
	36-250/P3	36	-	720	900	-					
5	36-250/P4	36	-	-	-	1116	485	516	596	80	190

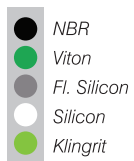


Pass connections for insulators of EN 50180 transformers
Nominal Voltage 12-24-36 kV - Nominal current 630 A

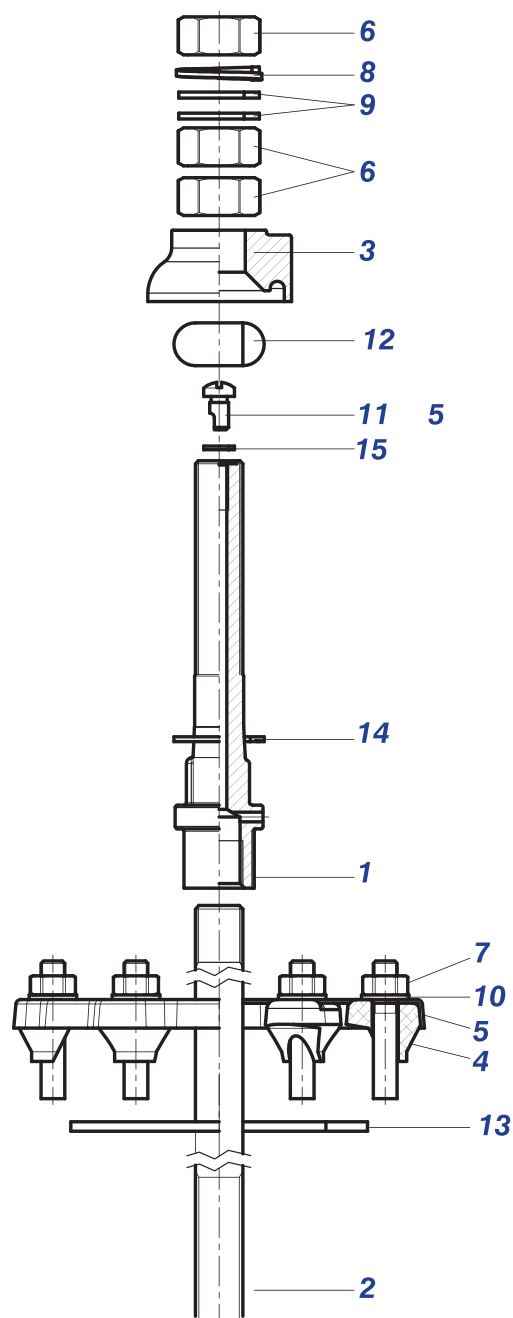
CLASS	12-630/p3	12-630/p4	24-630/p2	24-630/p4	36-630/p2	36-630/p4
TYPE	6	7		8		9

Pos.refer.	Q.ty	Description
1	1	Clamping threaded bolt
2	1	Lower threaded bolt
3	1	Cap
4	6	Alu Clamping
5	1	Fixing ring
6	3	Nut
7	6	Nut
8	1	Spring washer
9	2	Brass washer
10	6	Flat washer
11	1	Exhaust screw
12	1	J gasket
13	1	N gasket
14	1	O gasket
15	1	PTFE gasket

On request: Gasket



Fixing Ring



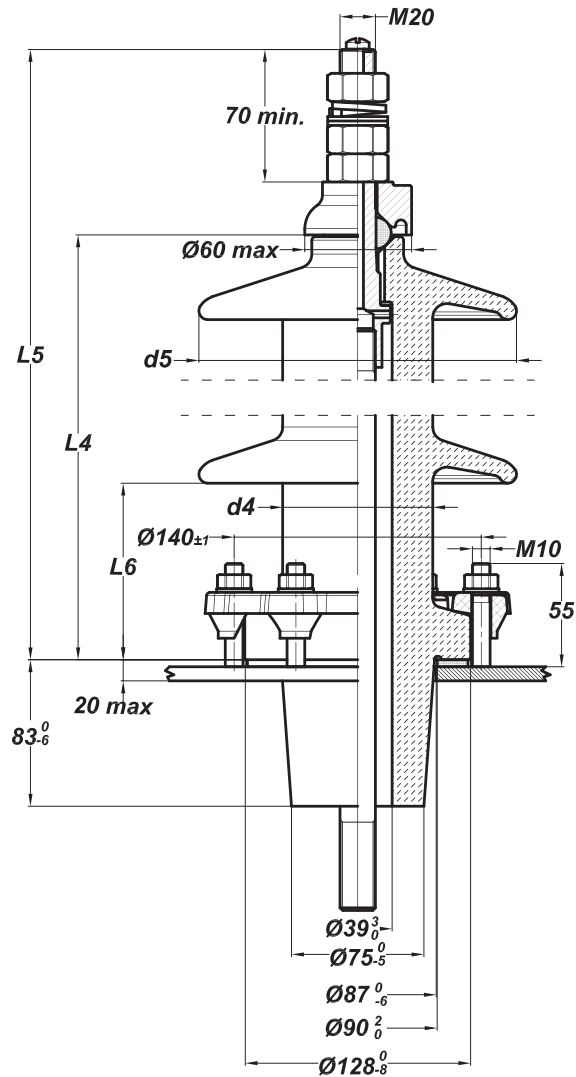


EN

Complete bushings with insulators

Complete bushings with insulators for transformers EN 50180
Nominal Voltage 12-24-36 kV - Nominal current 630 A

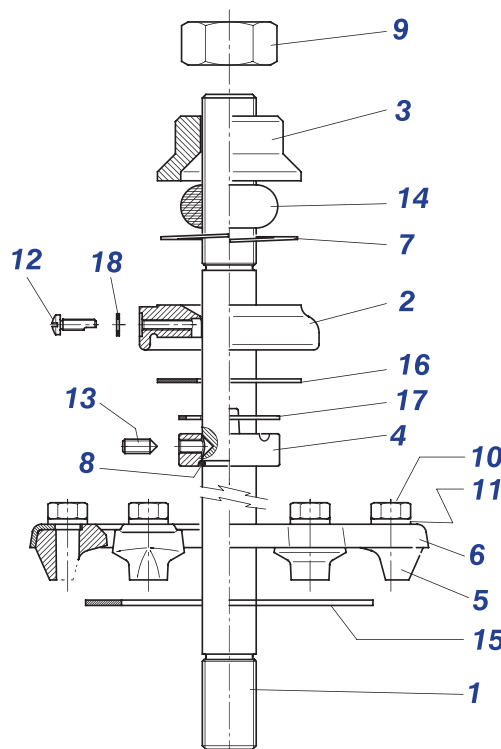
Type	Designation	(kV)	Min. nominal creepage distance				Arcing distance	L4	L5	L6	d4	d5
			Pollution level					max	max	max	max	max
			I	II	III	IV						
6	12-630/P3	12	192	240	300	-	190	235	350	90	80	155
	-	-	-	-	-	-	-	-	-	-	-	-
7	12-630/P4	12	-	-	-	372	285	325	440	90	85	170
	24-630/P2	24	384	480	-	-	-	-	-	-	-	-
8	24-630/P4	24	-	-	600	744	375	423	540	100	85	180
	36-630/P2	36	576	720	-	-	-	-	-	-	-	-
9	36-630/P4	36	-	-	900	1116	475	515	630	100	85	210
	-	-	-	-	-	-	-	-	-	-	-	-



Pass connections for insulators of EN 50180 transformers
 Nominal Voltage 12-24-36 kV - Nominal current 1250 A

CLASS	12-1250/p4	24-1250/p3	24-1250/p4	36-1250/p3	36-1250/p4
TYPE	21	22	23	23	24

Pos.refer.	Q.ty	Description
1	1	Connecting bolt
2	1	Cap
3	1	Disc
4	1	Pressure ring
5	6	Alu Clamping
6	1	Fixing ring
7	1	Snap ring
8	1	Stop ring
9	1	Nut
10	6	Nut
11	6	Flat washer
12	1	Exhaust screw
13	2	Grub screw
14	1	J gasket
15	1	N gasket
16	1	M gasket
17	1	O gasket
18	1	PTFE gasket



On request: Gasket Fixing Ring

- | | |
|-------------|------|
| NBR | Inox |
| Viton | Alu. |
| Fl. Silicon | |
| Silicon | |
| Klingrit | |

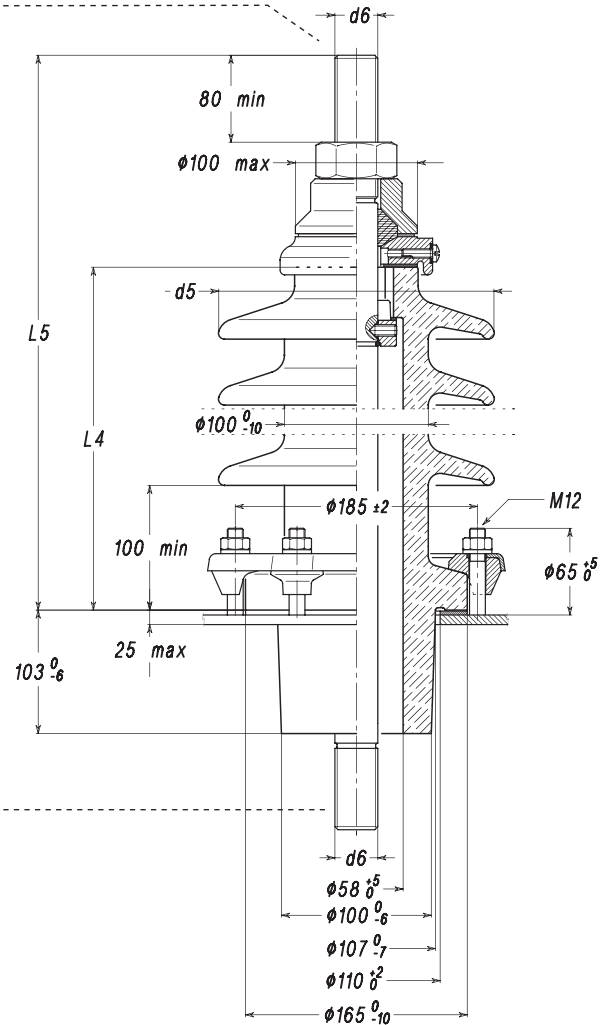
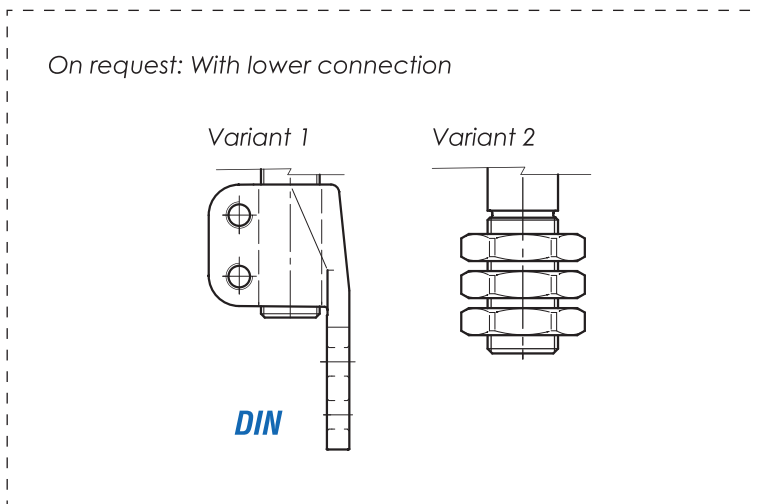
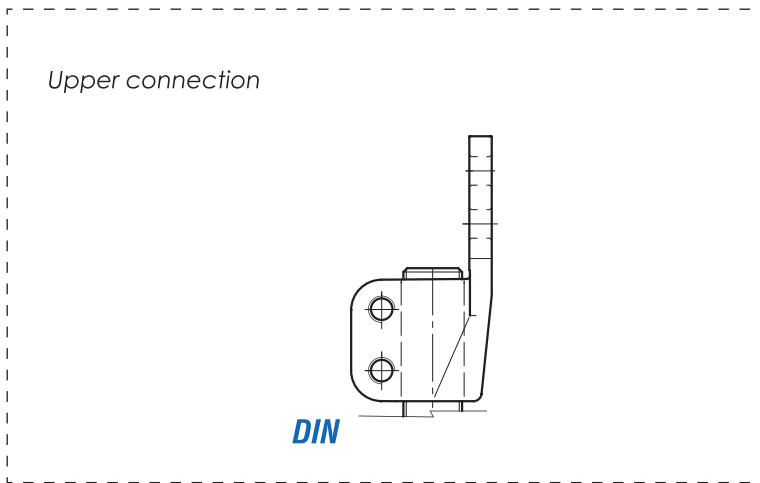


EN

Complete bushings with insulators

Complete bushings with insulators for transformers EN 50180
 Nominal Voltage 12-24-36 kV - Nominal current 1250 A

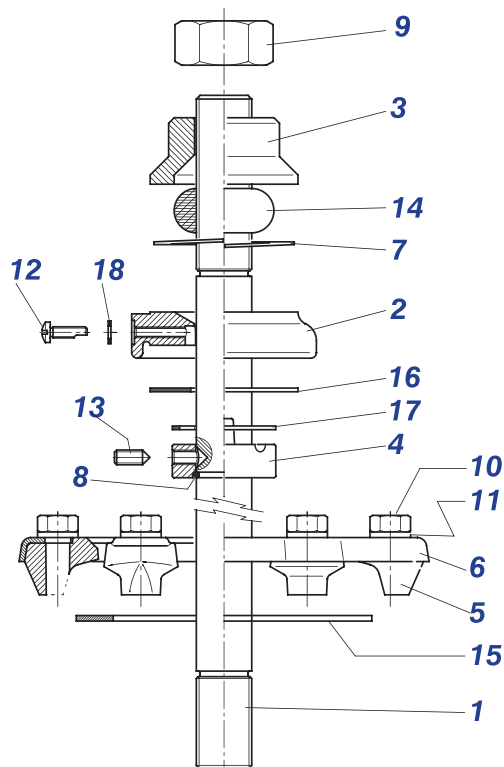
Type	Designation	(kV)	Min. nominal creepage distance				Arcing distance	L4 max	L5 max	d5 max	d6 max
			Pollution level								
			I	II	III	IV					
21	12-1250/P4	12	192	240	300	372	215	260	415	210	M30x2
	-	-	-	-	-	-					
22	24-1250/P3	24	384	480	600	-	280	325	480	210	M30x2
	-	-	-	-	-	-					
23	24-1250/P4	24	-	-	-	744	385	420	575	240	M30x2
	36-1250/P3	36	576	720	900	-					
24	36-1250/P4	36	-	-	-	1116	500	535	690	240	M30x2
	-	-	-	-	-	-					



Pass connections for insulators of EN 50180 transformers
Nominal Voltage 12-24-36 kV - Nominal current 2000 A

CLASS	12-2000/p4	24-2000/p3	24-2000/p4	36-2000/p3	36-2000/p4
TYPE	25	26	27	27	28

Pos.refer.	Q.ty	Description
1	1	Connecting bolt
2	1	Cap
3	1	Disc
4	1	Pressure ring
5	6	Alu Clamping
6		Fixing ring
7	1	Snap ring
8	1	Stop ring
9	1	Nut
10	6	Nut
11	6	Flat washer
12	1	Exhaust screw
13	2	Grub screw
14		J gasket
15		N gasket
16		M gasket
17		O gasket
18	1	PTFE gasket



On request: Gasket

Fixing Ring



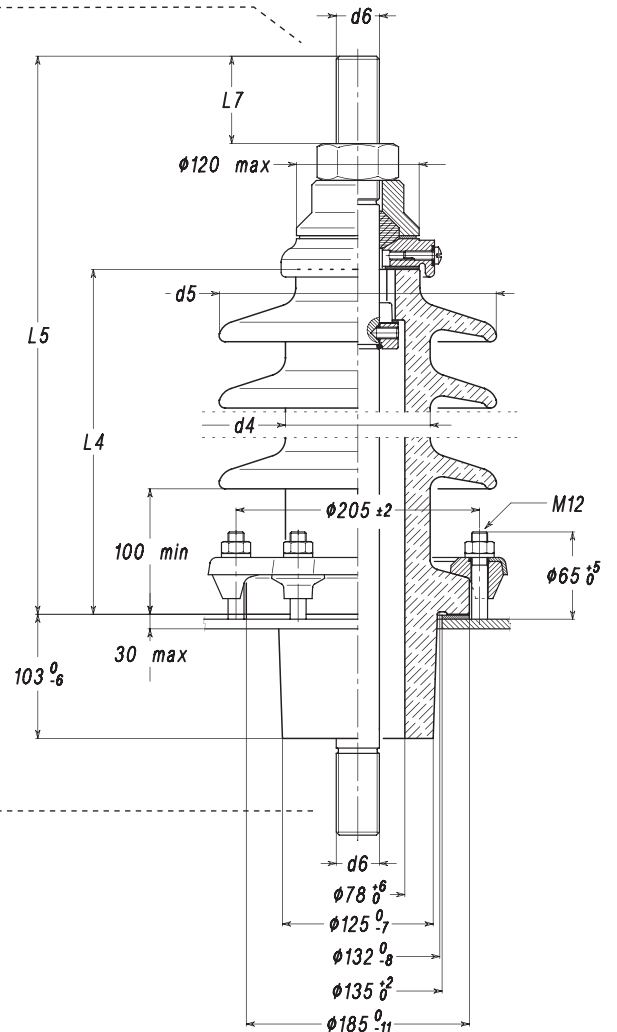
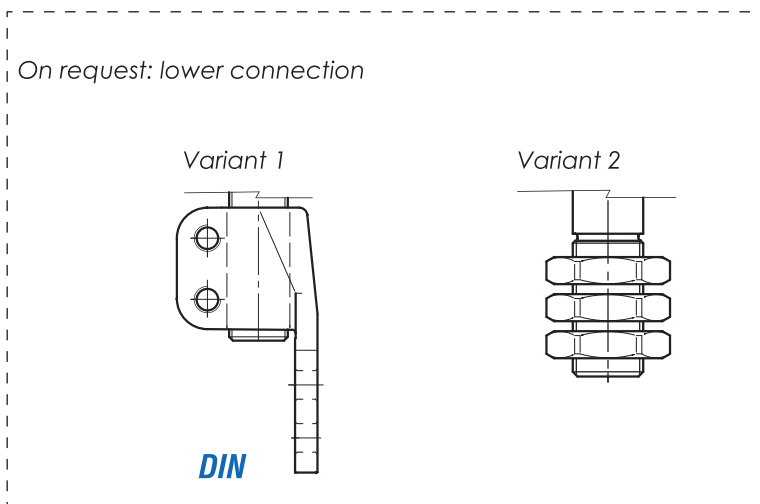
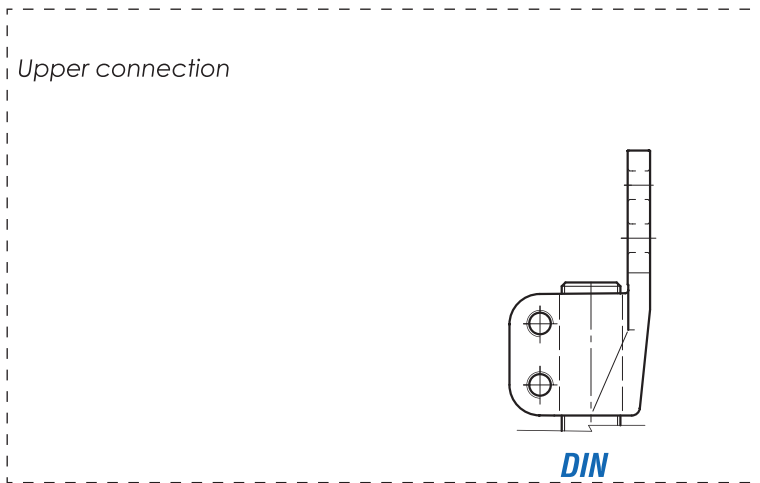


EN

Complete bushings with insulators

Complete bushings with insulators for transformers EN 50180
 Nominal Voltage 12-24-36 kV - Nominal current 2000 A

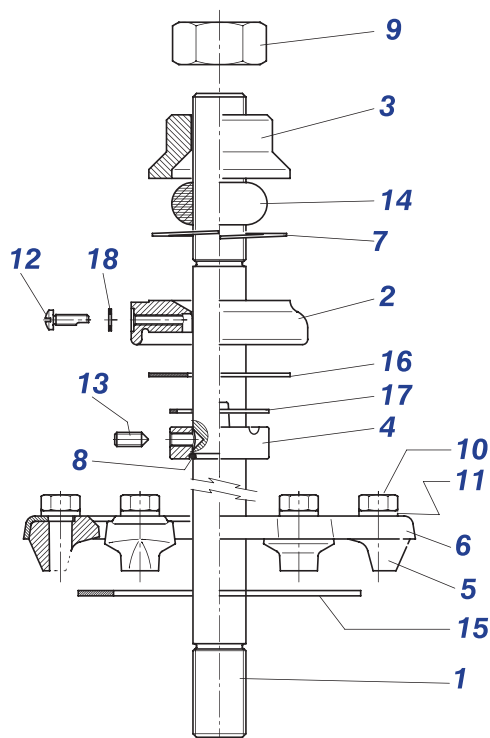
Designation	(kV)	Min. nominal creepage distance				Arcing distance	L4	L5	L7	d4	d5	d6
		Pollution level					max	max	max	max	max	max
		I	II	III	IV							
12-2000/P4	12	192	240	300	372	210	260	450	100	120	230	M42x3
-	-	-	-	-	-	-	-	-	-	-	-	-
24-2000/P3	24	384	480	600	-	275	325	515	100	120	230	M42x3
-	-	-	-	-	-	-	-	-	-	-	-	-
24-2000/P4	24	-	-	-	744	385	420	610	100	125	260	M42x3
36-2000/P3	36	576	720	900	-	495	535	725	100	125	260	M42x3
36-2000/P4	36	-	-	-	1116	-	-	-	-	-	-	-
-	-	-	-	-	-	-	-	-	-	-	-	-



Pass connections for insulators of EN 50180 transformers
Nominal Voltage 12-24-36 kV - Nominal current 3150 A

CLASS	12-3150/p4	24-3150/p3	24-3150/p4	36-3150/p3	36-3150/p4
TYPE	25	26	27	27	28

Pos. refer.	Q.ty	Description
1	1	Connecting bolt
2	1	Cap
3	1	Disc
4	1	Pressure ring
5	6	Alu Clamping
6		Fixing ring
7	1	Snap ring
8	1	Stop ring
9	1	Nut
10	6	Nut
11	6	Flat washer
12	1	Exhaust screw
13	2	Grub screw
14		J gasket
15		N gasket
16		M gasket
17		O gasket
18	1	PTFE gasket



On request: Gasket Fixing Ring

- | | |
|-------------|------|
| NBR | Inox |
| Viton | Alu. |
| Fl. Silicon | |
| Silicon | |
| Klingrit | |

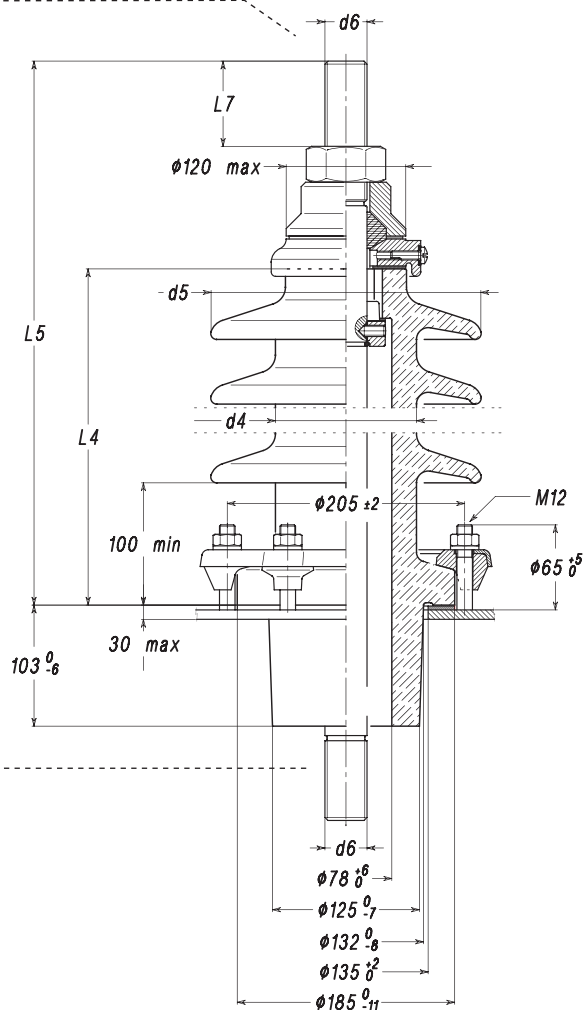
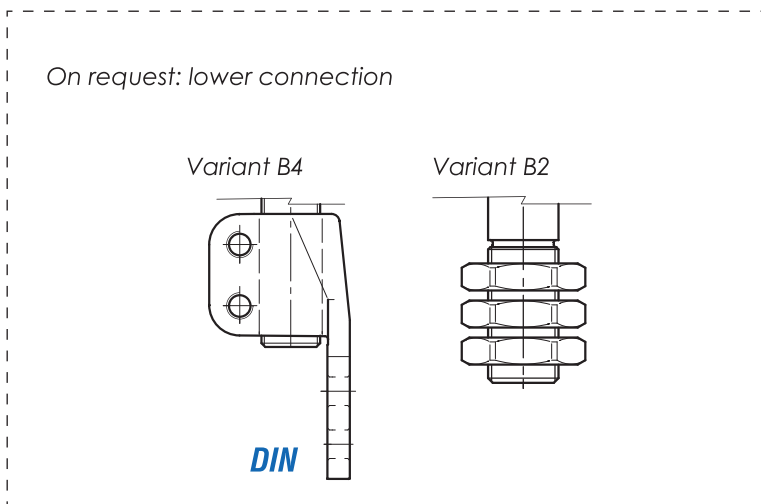
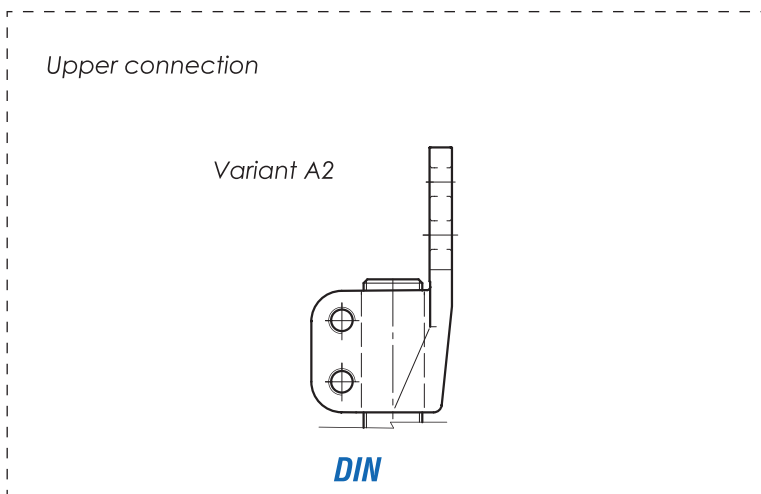


EN

Complete bushings with insulators

Complete bushings with insulators for transformers EN 50180
Nominal Voltage 12-24-36 kV - Nominal current 3150 A

Designation	(kV)	Min. nominal creepage distance				Arcing distance	L4	L5	L7	d4	d5	d6
		Pollution level					max	max	max	max	max	max
		I	II	III	IV							
12-3150/P4	12	192	240	300	372	210	260	470	120	120	230	M48x3
-	-	-	-	-	-							
24-3150/P3	24	384	480	600	-	275	325	535	120	120	230	M48x3
-	-	-	-	-	-							
24-3150/P4	24	-	-	-	744	385	420	630	120	125	260	M48x3
36-3150/P3	36	576	720	900	-	495	535	745	120	125	260	M48x3
36-3150/P4	36	-	-	-	1116							
-	-	-	-	-	-							

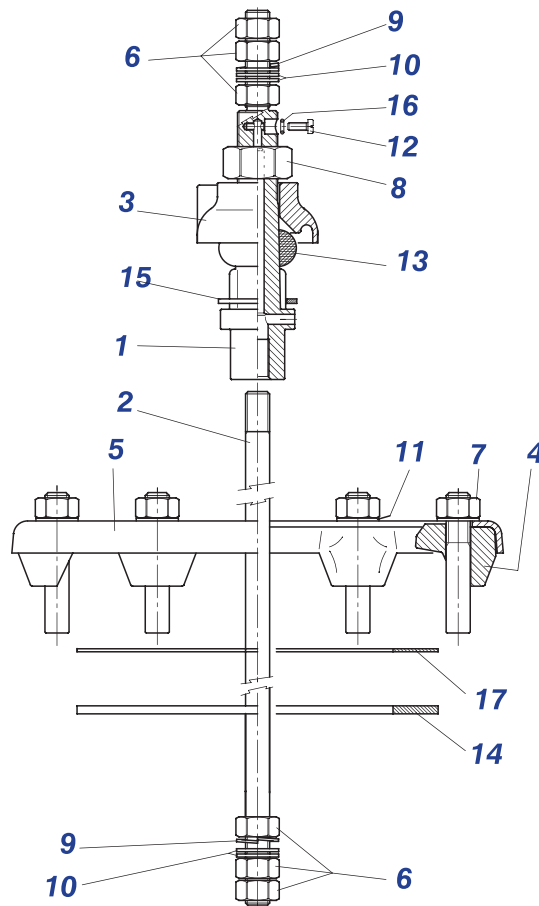




Pass connections for insulators of EN 50180 transformers
Nominal Voltage 52kV - Nominal current 250 A

CLASS	52-250/P1	52-250/P3	52-250/P4
TYPE	29	30	31

Pos.refer.	Q.ty	Description
1	1	Clamping threaded bolt
2	1	Lower threaded bolt
3	1	Cap
4	6	Alu Clamping
5	1	Fixing ring
6	6	Nut
7	6	Nut
8	1	Nut
9	2	Spring washer
10	4	Brass washer
11	6	Flat washer
12	1	Exhaust screw
13	1	J gasket
14	1	N gasket
15	1	O gasket
16	1	O-ring
17	1	Adjusting ring



On request: Gasket Fixing Ring

- | | |
|-------------|------|
| NBR | Inox |
| Viton | Alu. |
| Fl. Silicon | |
| Silicon | |
| Klingrit | |

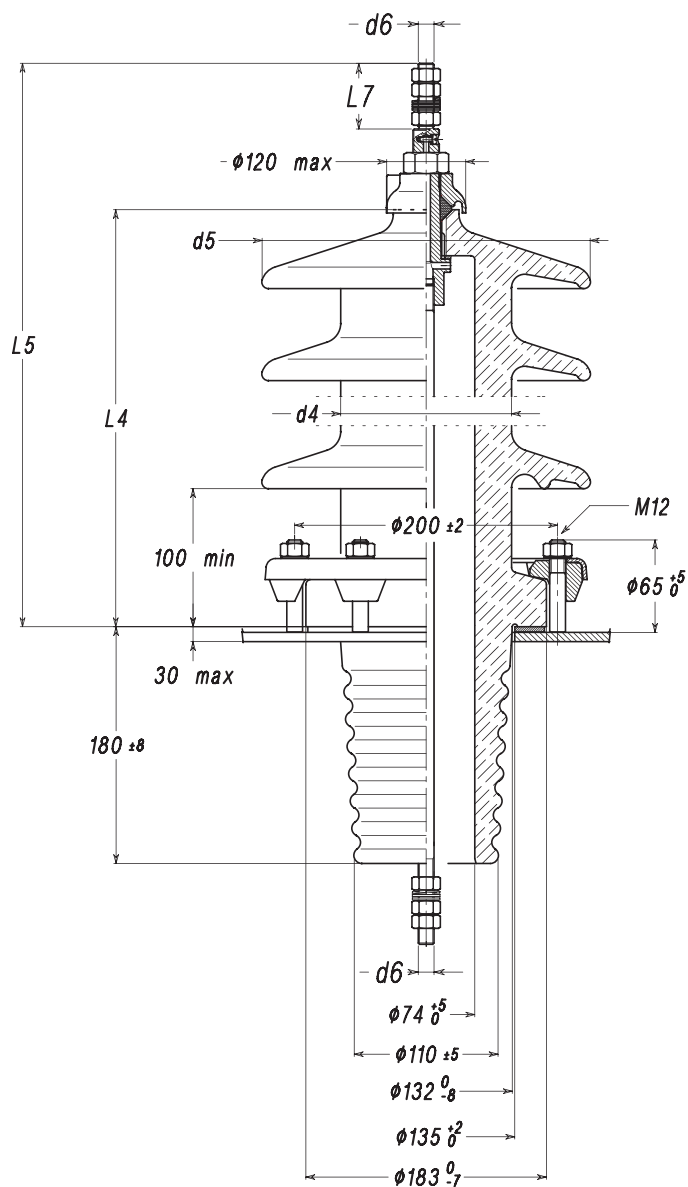


EN

Complete bushings with insulators

Complete bushings with insulators for transformers EN 50180
 Nominal Voltage 52 kV - Nominal current 250 A

Type	Designation	Min. nominal creepage distance (kV)	Min. nominal creepage distance				Arcing distance	L4 max	L5 max	L7 max	d4 max	d5 max	d6 max
			Pollution level										
			I	II	III	IV							
29	52/250/P1	52	832	-	-	-	480	505	660	60	136	259	M12
30	52/250/P3	52	832	1040	1300	-	480	505	660	60	136	259	M12
31	52/250/P4	52	832	1040	1300	1612	520	550	660	60	136	259	M12

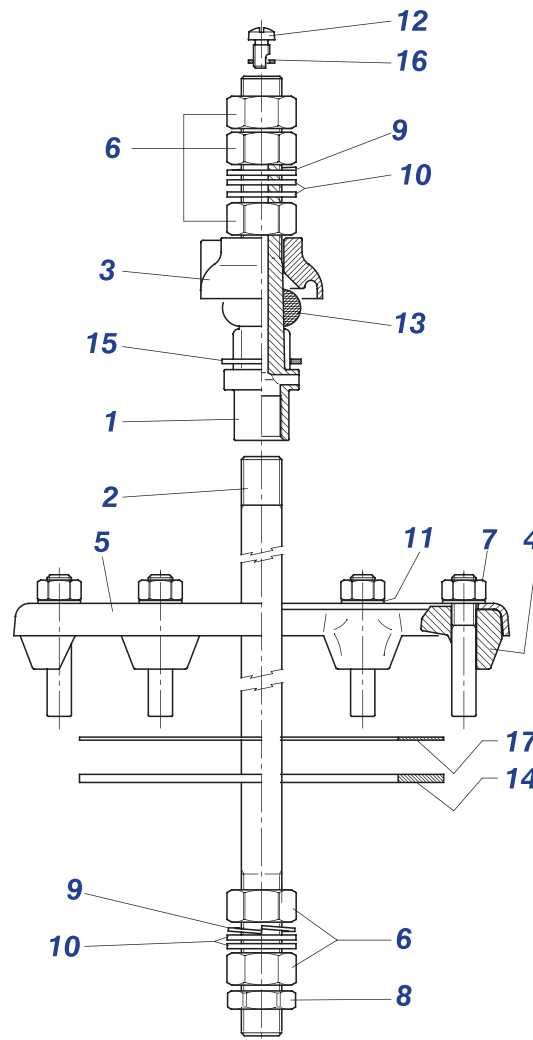




Pass connections for insulators of EN 50180 transformers
Nominal Voltage 52kV - Nominal current 630 A

CLASS	52-630/P1	52-630/P3	52-630/P4
TYPE	29	30	31

Pos.refer.	Code	
	Q.ty	Description
1	1	Clamping threaded bolt
2	1	Lower threaded bolt
3	1	Cap
4	6	Alu Clamping
5	1	Fixing ring
6	4	Nut
7	6	Nut
8	1	Nut
9	2	Spring washer
10	4	Brass washer
11	6	Flat washer
12	1	Exhaust screw
13	1	J gasket
14	1	N gasket
15	1	O gasket
16	1	PTFE gasket
17	1	Adjusting ring



On request: Gasket Fixing Ring

NBR	Inox
Viton	Alu.
Fl. Silicon	
Silicon	
Klingrit	

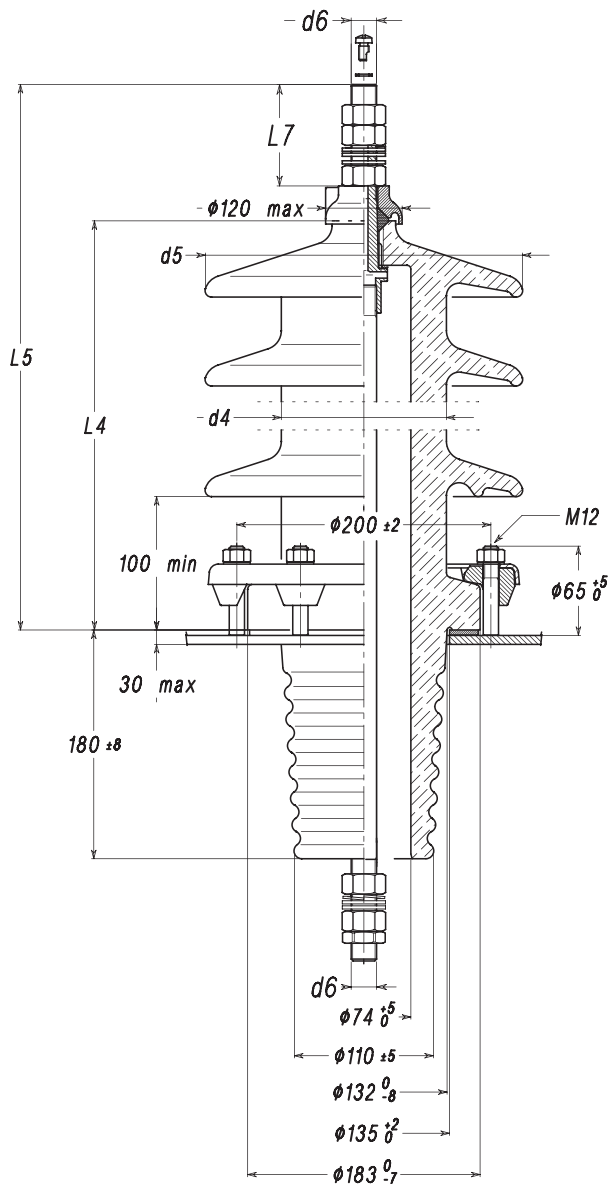


EN

Complete bushings with insulators

Complete bushings with insulators for transformers EN 50180
 Nominal Voltage 52 kV - Nominal current 630 A

Type	Designation	Min. nominal creepage distance (kV)	Pollution level				Arcing distance	L4	L5	L7	d4	d5	d6
			I	II	III	IV		max	max	max	max	max	max
29	52/630/P1	52	832	-	-	-	480	505	685	85	136	259	M20
30	52/630/P3	52	832	1040	1300	-	480	505	685	85	136	259	M20
31	52/630/P4	52	832	1040	1300	1612	520	550	730	85	136	259	M20

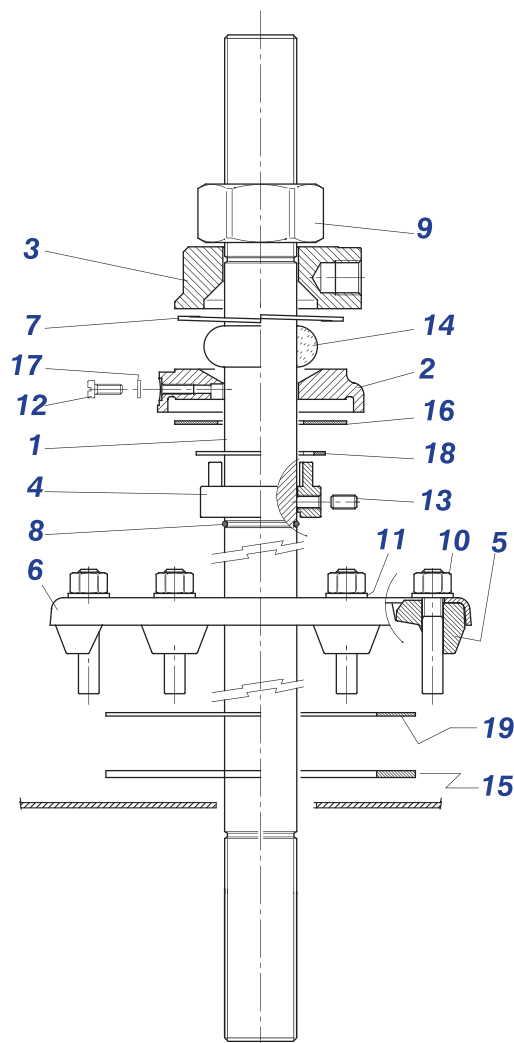




Pass connections for insulators of EN 50180 transformers
Nominal Voltage 52kV - Nominal current 1250 A

CLASS	52-1250/P1	52-1250/P3	52-1250/P4
TYPE	29	30	31

Pos.refer.	Q.ty	Description
1	1	Connecting bolt
2	1	Cap
3	1	Disc
4	1	Pressure ring
5	6	Alu Clamping
6	1	Fixing ring
7	1	Snap ring
8	1	Stop ring
9	1	Nut
10	6	Nut
11	6	Flat washer
12	1	Exhaust screw
13	2	Grub screw
14	1	J gasket
15	1	N gasket
16	1	M gasket
17	1	PTFE gasket
18	1	O gasket
19	1	Adjusting ring



On request: Gasket Fixing Ring



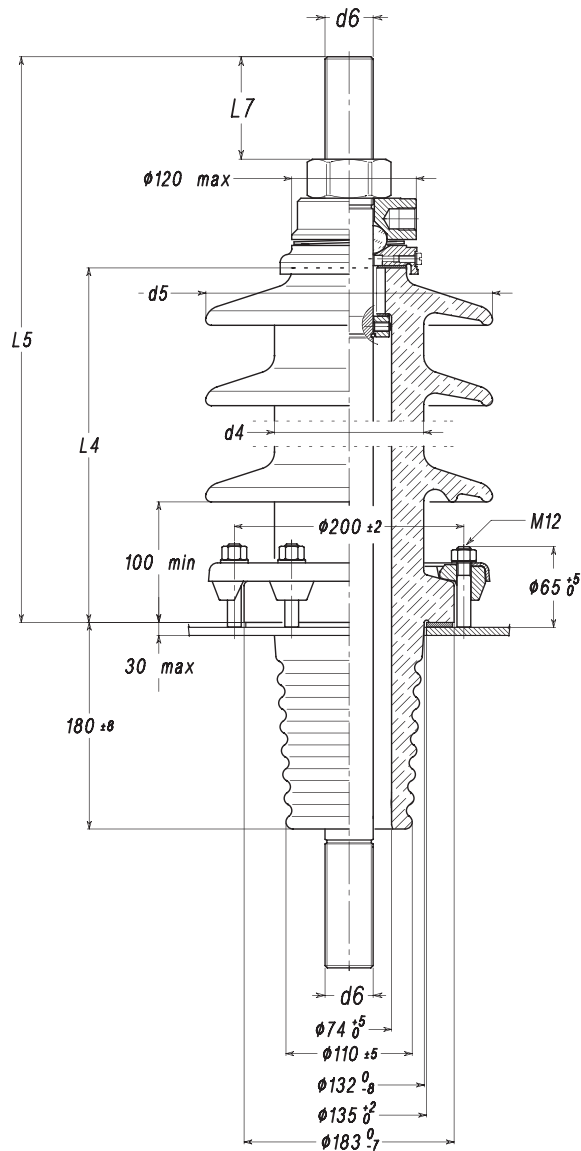


EN

Complete bushings with insulators

Complete bushings with insulators for transformers EN 50180
 Nominal Voltage 52 kV - Nominal current 1250 A

Designation	(kV)	Min. nominal creepage distance				Arcing distance	L4	L5	L7	d4	d5	d6
		Pollution level					max	max	max	max	max	max
		I	II	III	IV							
52/1000/P1	52	832	-	-	-	480	505	655	65	136	259	M30x2
52/1000/P3	52	832	1040	1300	-	480	505	655	65	136	259	M30x2
52/1000/P4	52	832	1040	1300	1612	520	550	700	65	136	259	M30x2

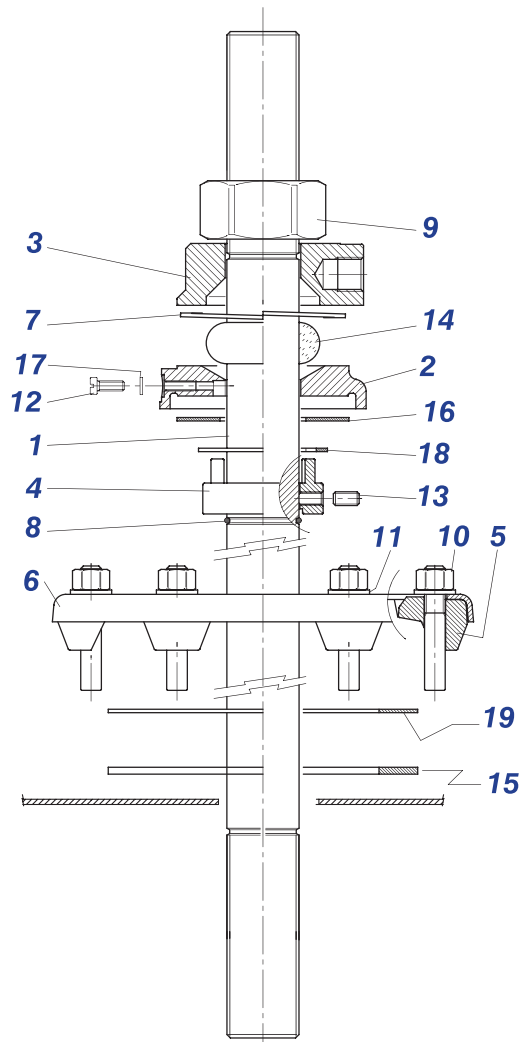




Pass connections for insulators of EN 50180 transformers
Nominal Voltage 52kV - Nominal current 2000 A

CLASS	52-2000/P1	52-2000/P3	52-2000/P4
TYPE	29	30	31

Pos.refer.	Q.ty	Description
1	1	Connecting bolt
2	1	Cap
3	1	Disc
4	1	Pressure ring
5	6	Alu Clamping
6	1	Fixing ring
7	1	Snap ring
8	1	Stop ring
9	1	Nut
10	6	Nut
11	6	Flat washer
12	1	Exhaust screw
13	2	Grub screw
14	1	J gasket
15	1	N gasket
16	1	M gasket
17	1	PTFE gasket
18	1	O gasket
19	1	Adjusting ring



On request: Gasket

Fixing Ring



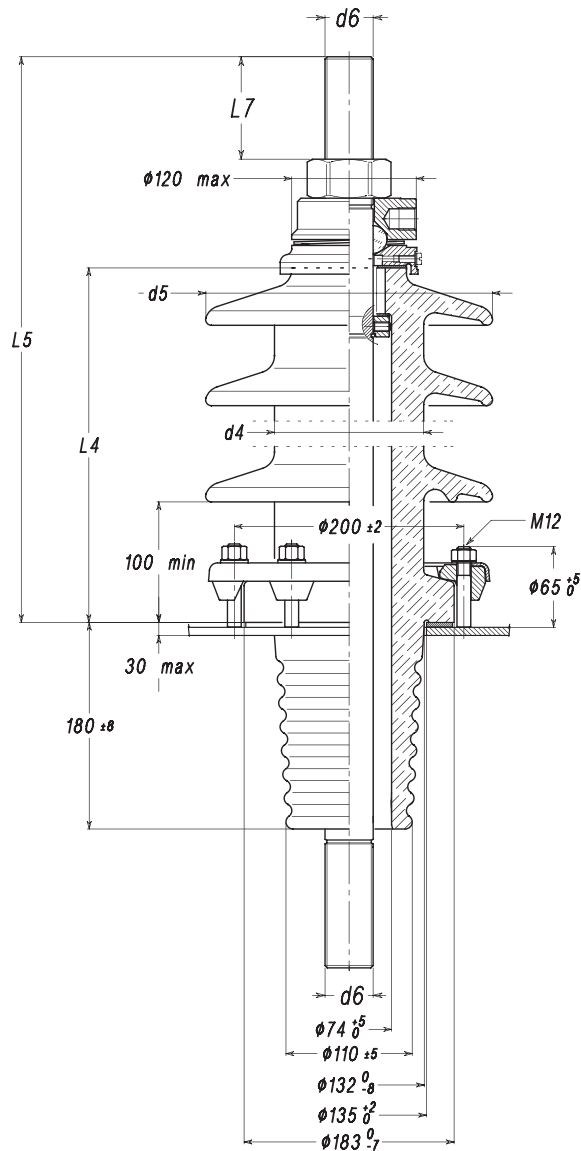


EN

Complete bushings with insulators

Complete bushings with insulators for transformers EN 50180
Nominal Voltage 52 kV - Nominal current 2000 A

Type	Designation	(kV)	Min. nominal creepage distance				Arcing distance	L4	L5	L7	d4	d5	d6
			Pollution level					max	max	max	max	max	max
			I	II	III	IV							
29	52/2000/P1	52	832	-	-	-	480	505	685	85	136	259	M42x3
30	52/2000/P3	52	832	1040	1300	-	480	505	685	85	136	259	M42x3
31	52/2000/P4	52	832	1040	1300	1612	520	550	730	85	136	259	M42x3

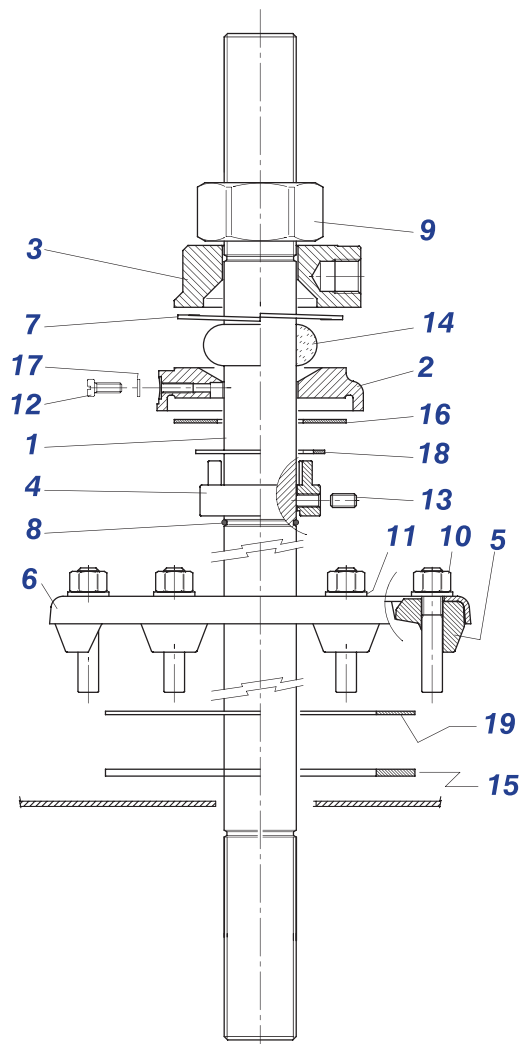




Pass connections for insulators of EN 50180 transformers
Nominal Voltage 52kV - Nominal current 3150 A

CLASS	52-3150/P1	52-3150/P3	52-3150/P4
TYPE	29	30	31

Pos.refer.	Q.ty	Description
1	1	Connecting bolt
2	1	Cap
3	1	Disc
4	1	Pressure ring
5	6	Alu Clamping
6	1	Fixing ring
7	1	Snap ring
8	1	Stop ring
9	1	Nut
10	6	Nut
11	6	Flat washer
12	1	Exhaust screw
13	2	Grub screw
14	1	J gasket
15	1	N gasket
16	1	M gasket
17	1	PTFE gasket
18	1	O gasket
19	1	Adjusting ring



On request: Gasket

Fixing Ring



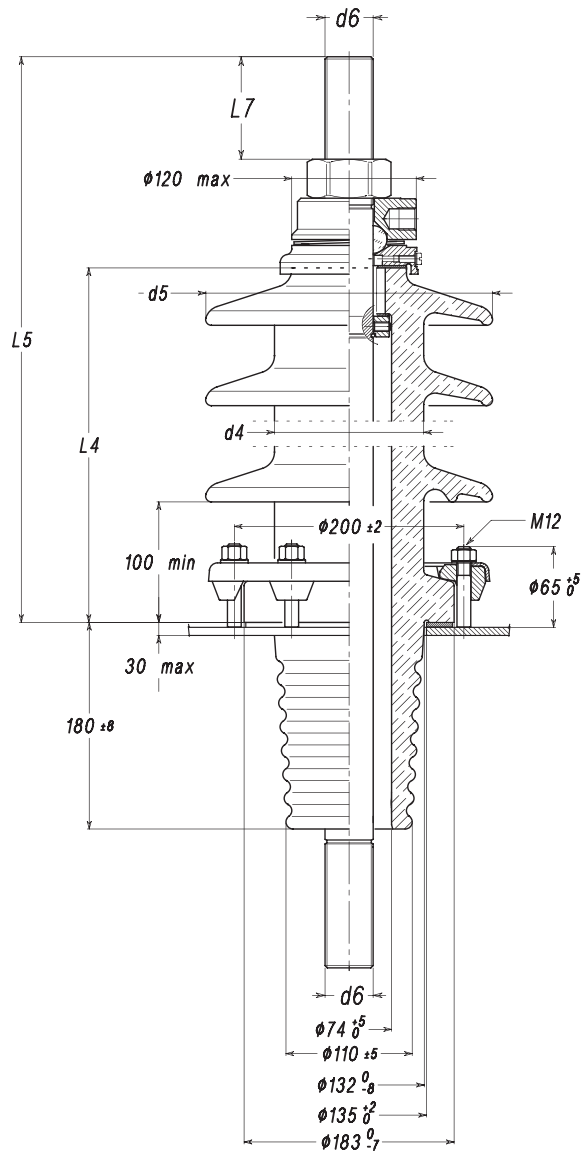


EN

Complete bushings with insulators

Complete bushings with insulators for transformers EN 50180
Nominal Voltage 52 kV - Nominal current 3150 A

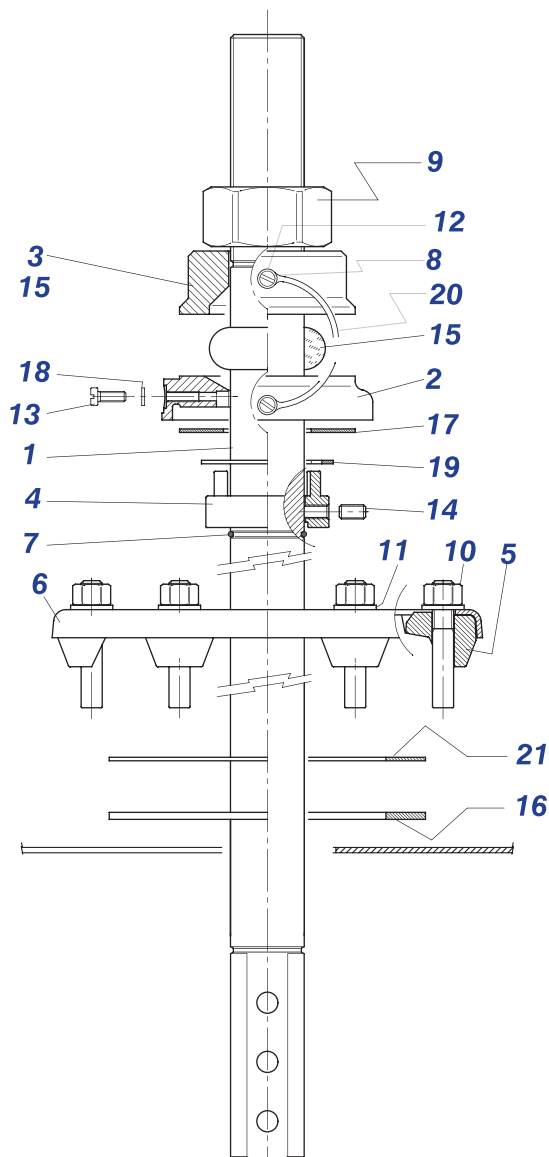
Type	Designation	Min. nominal creepage distance (kV)	Min. nominal creepage distance				d'arco distance	L4 max	L5 max	L7 max	d4 max	d5 max	d6 max
			Pollution level										
			I	II	III	IV							
29	52/3150/P1	52	832	-	-	-	480	505	690	85	136	259	M48x2
30	52/3150/P3	52	832	1040	1300	-	480	505	690	85	136	259	M48x2
31	52/3150/P4	52	832	1040	1300	1612	520	550	735	85	136	259	M48x2



Pass connections for insulators transformers
Nominal Voltage 52kV - Nominal current 4500 A

CLASS	52-4500/P1	52-4500/P3	52-4500/P4
TYPE	29	30	31

Pos.refer.	Q.ty	Description
1	1	Connecting bolt
2	1	Cap
3	1	Disc
4	1	Pressure ring
5	6	Alu Clamping
6	1	Fixing ring
7	1	Stop ring
8	2	Hexagon head cap screw
9	1	Nut
10	6	Nut
11	6	Flat washer
12	2	Flat washer
13	1	Exhaust screw
14	2	Grub screw
15	1	J gasket
16	1	N gasket
17	1	M gasket
18	1	PTFE gasket
19	1	O gasket
20	1	Copper wire
21	1	Adjusting ring



On request: Gasket Fixing Ring



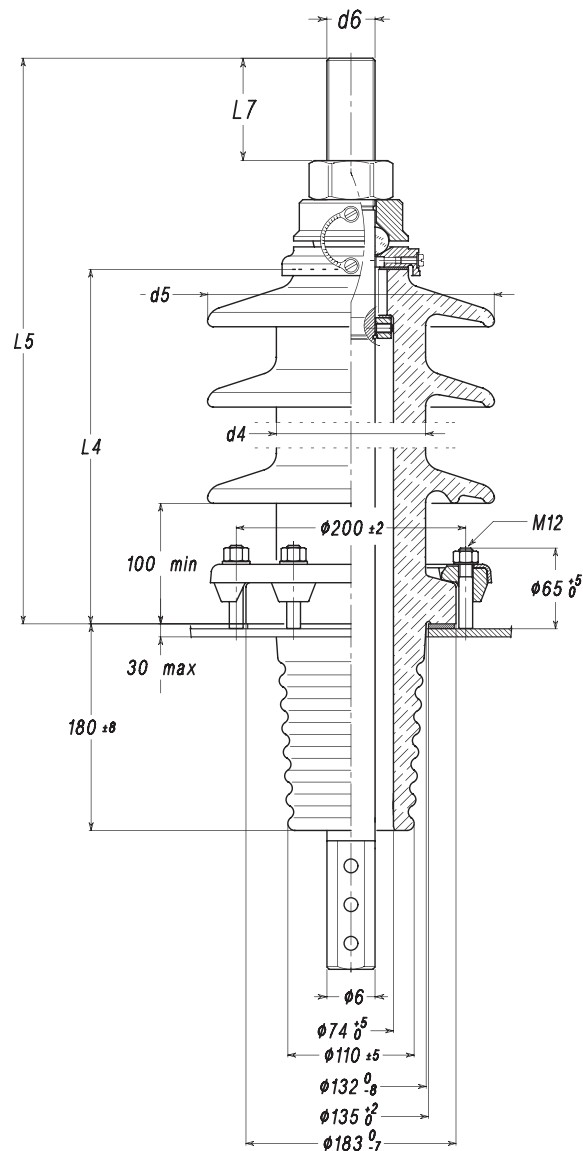


EN

Complete bushings with insulators

Complete bushings with insulators transformers
Nominal Voltage 52 kV - Nominal current 4500 A

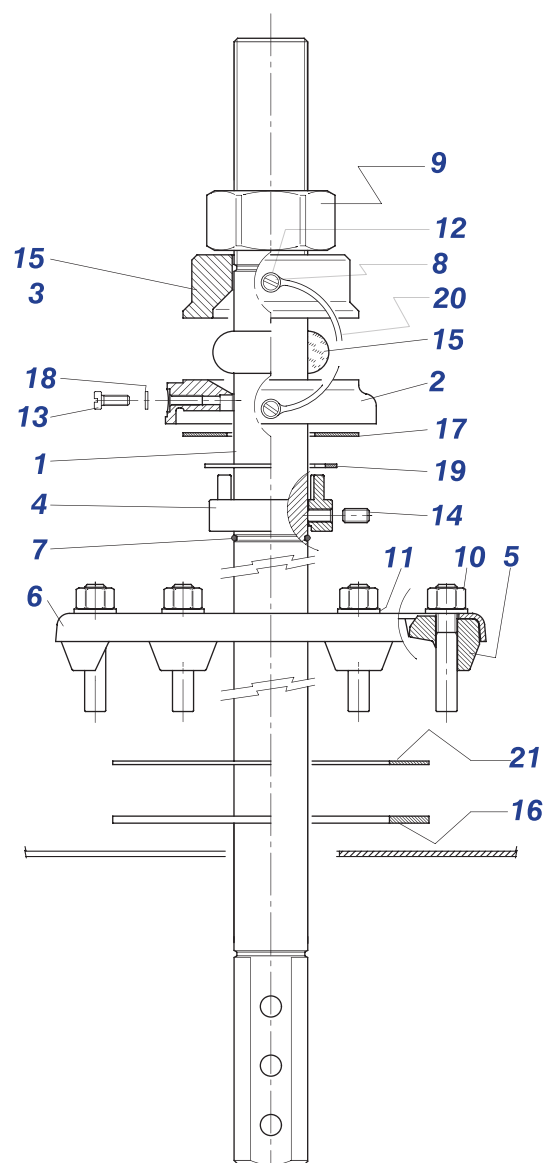
Tipo Type	Designation	Min. nominal creepage distance (kV)	Min. nominal creepage distance				Arcing distance	L4 max	L5 max	L7 max	d4 max	d5 max	d6 max
			Pollution level										
			I	II	III	IV							
29	52/4500/P1	52	-	-	-	-	505	726	110	130	250	M55x3	
30	52/4500/P3	52	-	-	-	-	505	726	110	130	250	M55x3	
31	52/4500/P4	52	-	-	-	-	550	771	110	130	250	M55x3	



Pass connections for transformers insulators
Nominal Voltage 52kV - Nominal current 5000 A

CLASS	52-5000/P1	52-5000/P3	52-5000/P4
TYPE	29	30	31

Pos. refer.	Q. ty	Description
1	1	Connecting bolt
2	1	Cap
3	1	Disc
4	1	Pressure ring
5	6	Alu Clamping
6	1	Fixing ring
7	1	Stop ring
8	2	Hexagon head cap screw
9	1	Nut
10	6	Nut
11	6	Flat washer
12	2	Flat washer
13	1	Exhaust screw
14	2	Grub screw
15	1	J gasket
16	1	N gasket
17	1	M gasket
18	1	PTFE gasket
19	1	O gasket
20	1	Copper wire
21	1	Adjusting ring



On request: Gasket Fixing Ring

	NBR		Inox
	Viton		Alu.
	Fl. Silicon		
	Silicon		
	Klingrit		



EN

Complete bushings with insulators

Complete bushings with insulators transformers
Nominal Voltage 52 kV - Nominal current 5000 A

Tipo Type	Designation	Min. nominal creepage distance (kV)	Min. nominal creepage distance				Arcing distance	L4 max	L5 max	L7 max	d4 max	d5 max	d6 max
			Pollution level										
			I	II	III	IV							
29	52/5000/P1	52	-	-	-	-	505	726	110	130	250	M58x3	
30	52/5000/P3	52	-	-	-	-	505	726	110	130	250	M58x3	
31	52/5000/P4	52	-	-	-	-	550	775	110	130	250	M58x3	

