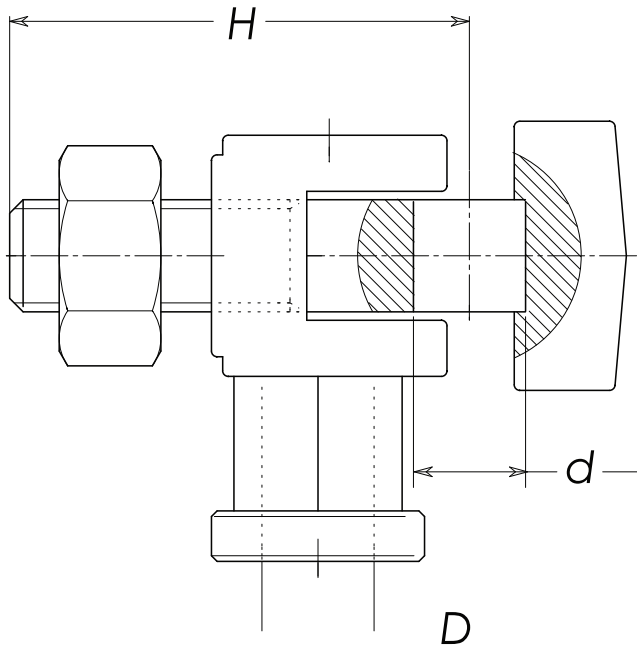


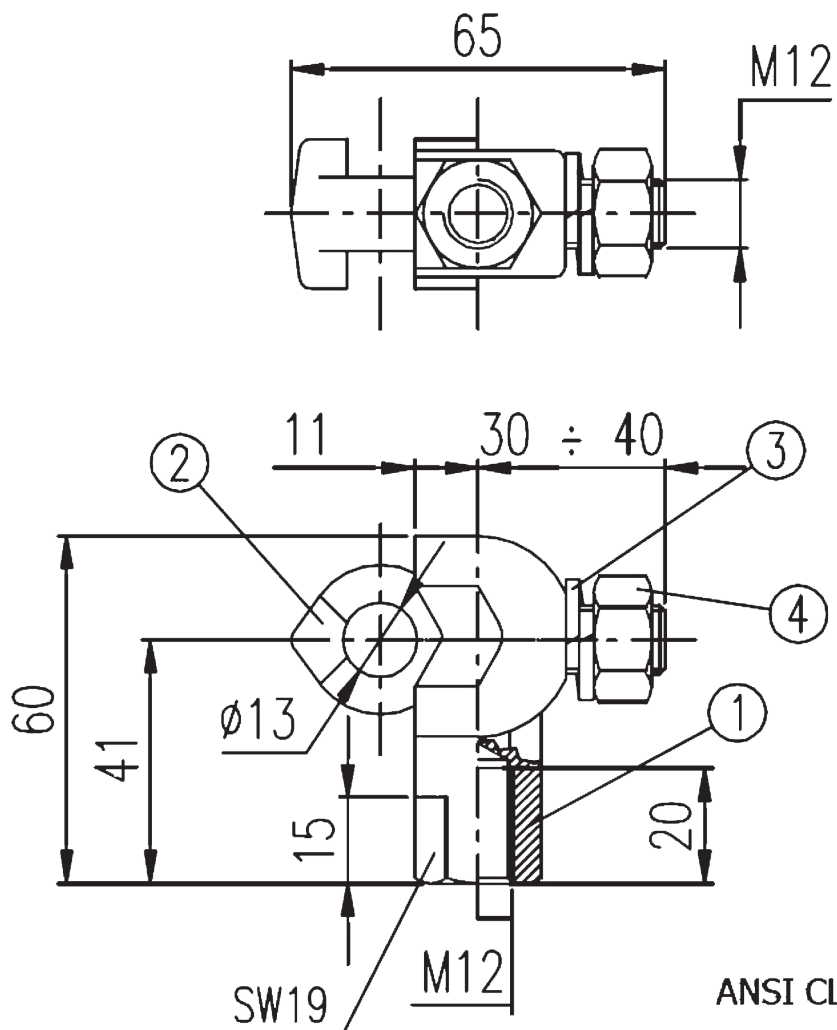
Type 1



| D | H | d |
|-----|-----|-----|
| M12 | 41 | 11 |

Material:
Brass UNI EN 12165

Type 2



ANSI CLAMP M12