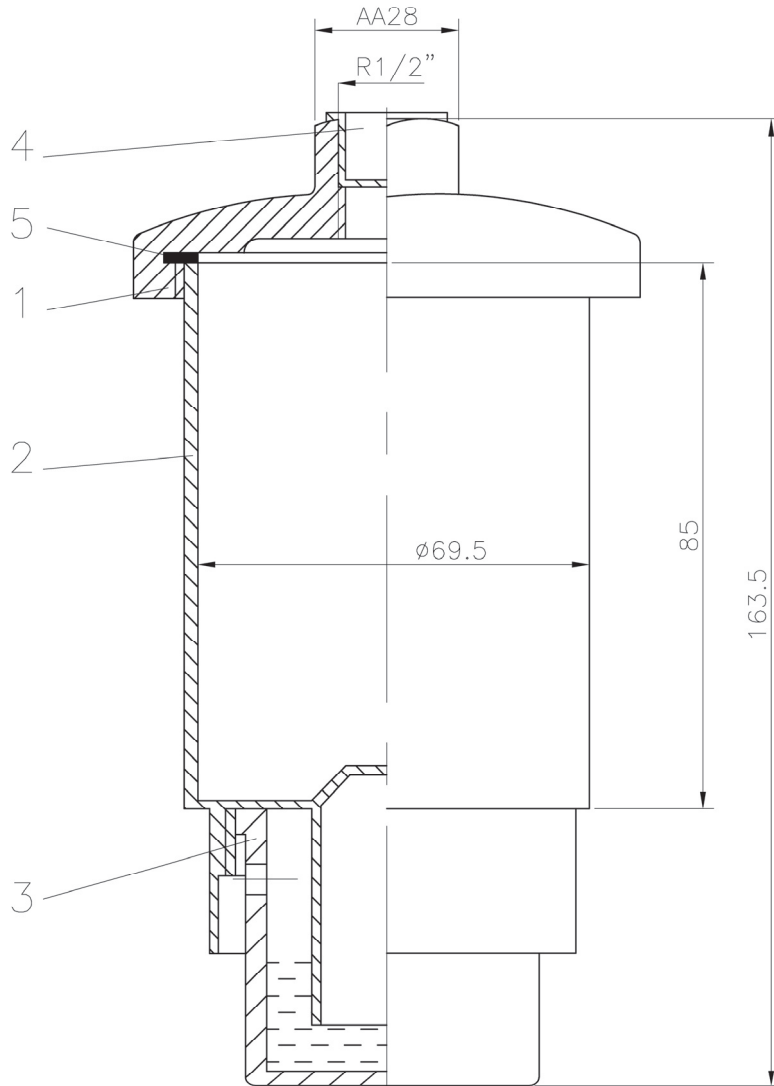


TYPE	CODE NO
NAK 0,15kg	401



ITEM NO.	QUANTITY	DESCRIPTION	MATERIAL
1	1	Top section	Aluminum, powder painted
2	1	Cylinder	Polycarbonate
3	1	Oil bowl	Polycarbonate
4	1	Gasket	Nitrile rubber
5	1	Plug	Polyethylene