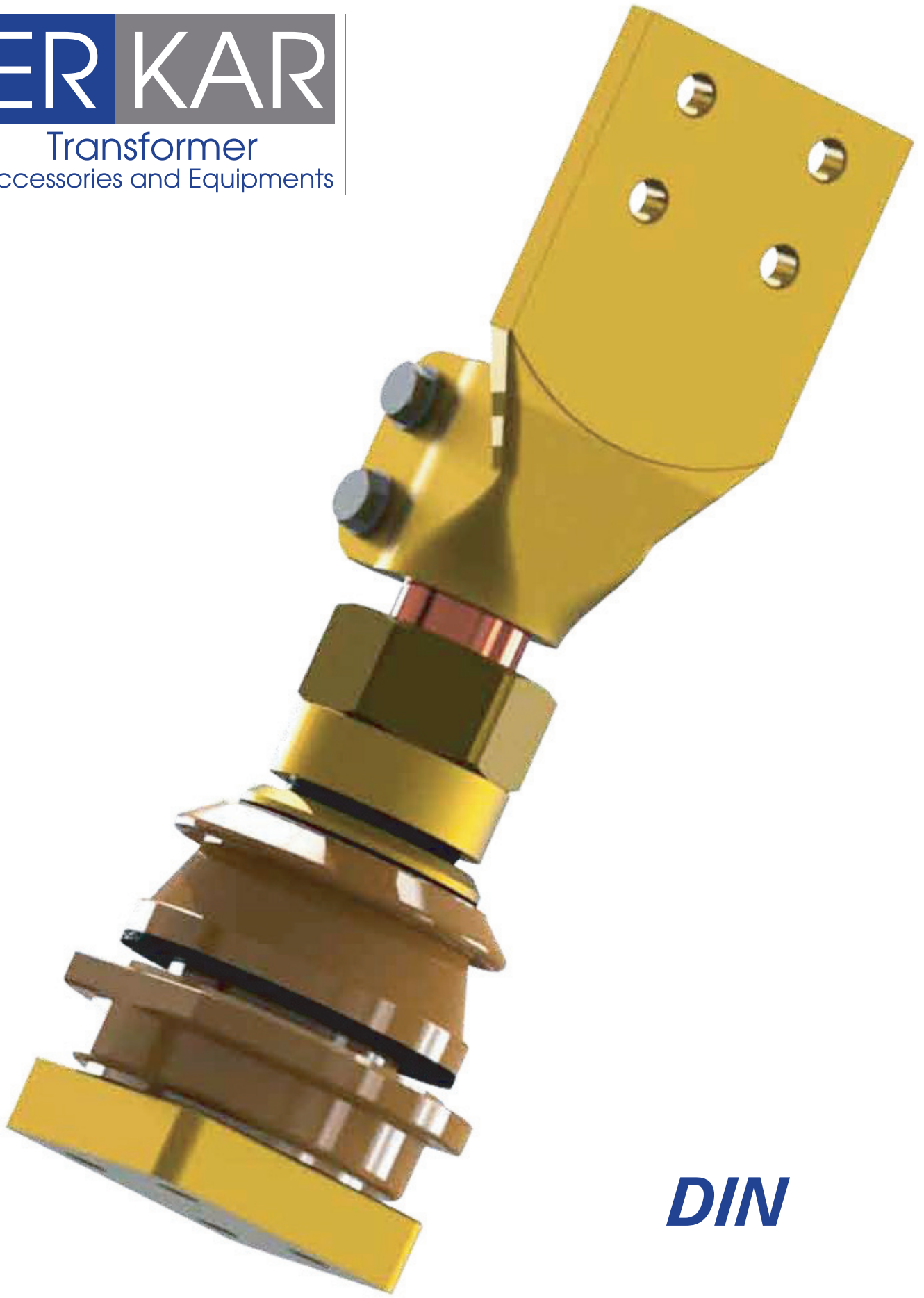


ER KAR

Transformer
Accessories and Equipments



DIN





DIN STANDART COMPLETE BUSHINGS WITH INSULATORS

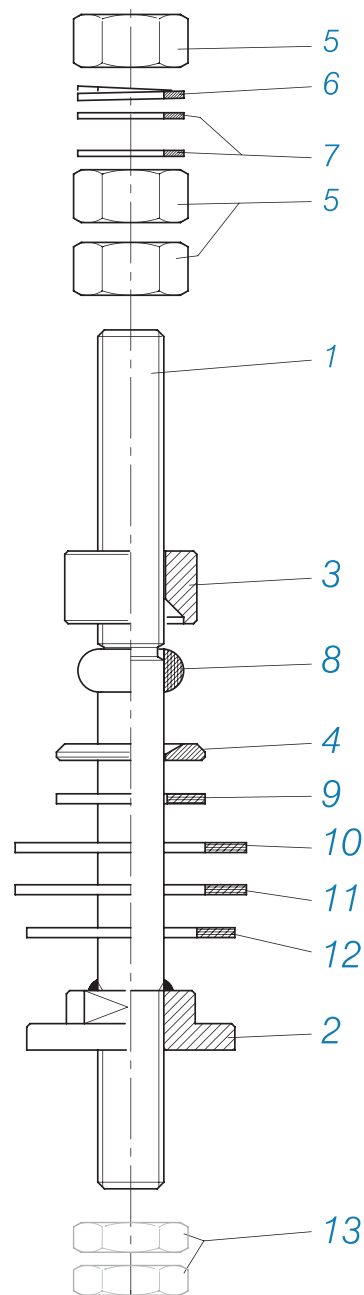
Pass connections for insulators of DIN 42530 transformers
Nominal Voltage until 1 kV - 250 ÷ 630 A

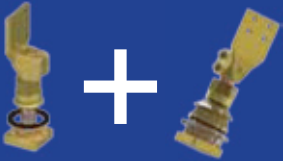
| CLASS | DT - 1/250 | DT - 1/630 |
|-------|------------|------------|
|-------|------------|------------|

| Pos. refer. | Q. ty | Description |
|-------------|-------|-----------------|
| 1 | 1 | Connecting bolt |
| 2 | 1 | Ring nut |
| 3 | 1 | Washer 90° |
| 4 | 1 | Washer 120° |
| 5 | 3 | Nut |
| 6 | 1 | Spring washer |
| 7 | 2 | Brass washer |
| 8 | 1 | J gasket |
| 9 | 1 | M gasket |
| 10 | 1 | N gasket |
| 11 | 1 | O gasket |
| 12 | 1 | P gasket |
| 13 | 2 | Half Nut |

On request: Gasket

-  NBR
-  Viton
-  Fl. Silicon
-  Silicon





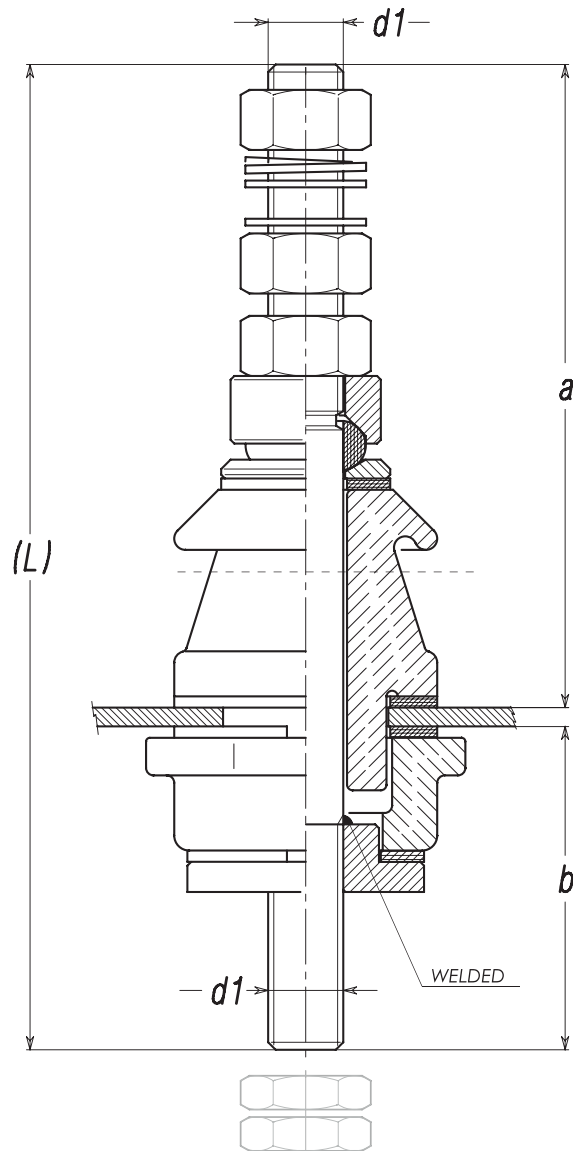
+

DIN

Complete bushings with insulators

Complete bushings with insulators for transformers DIN 42530
Nominal Voltage until 1 kV - 250 ÷ 630 A

| CLASS | DT - 1/250 | DT - 1/630 |
|---------------------|-------------------|-------------------|
| <i>d1</i> | <i>M12</i> | <i>M20</i> |
| <i>a</i> | <i>138</i> | <i>178</i> |
| <i>b</i> | <i>67</i> | <i>82</i> |
| <i>(L)</i> | <i>205</i> | <i>260</i> |
| <i>Weight (gr.)</i> | <i>700</i> | <i>1900</i> |



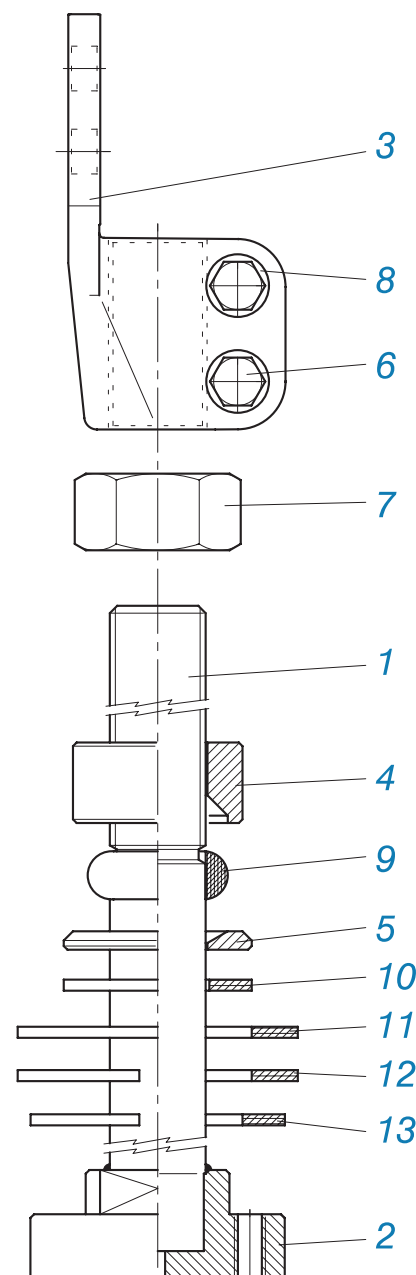
Pass connections for insulators of DIN 42530 transformers Nominal Voltage until 1 kV - 1000 ÷ 3150 A

| CLASS | DT - 1/1000 | DT - 1/2000 | DT - 1/3150 |
|-------|-------------|-------------|-------------|
|-------|-------------|-------------|-------------|

| Pos. refer. | Q. ty | Description |
|-------------|-------|-----------------|
| 1 | 1 | Connecting bolt |
| 2 | 1 | Ring nut |
| 3 | 1 | Connecting flag |
| 4 | 1 | Washer 90° |
| 5 | 1 | Washer 120° |
| 6 | 2 | Bolt |
| 7 | 1 | Nut |
| 8 | 2 | Flat washer |
| 9 | 1 | J gasket |
| 10 | 1 | M gasket |
| 11 | 1 | N gasket |
| 12 | 1 | X gasket |
| 13 | 1 | R gasket |

On request: Gasket

- NBR
- Viton
- Fl. Silicon
- Silicon





+

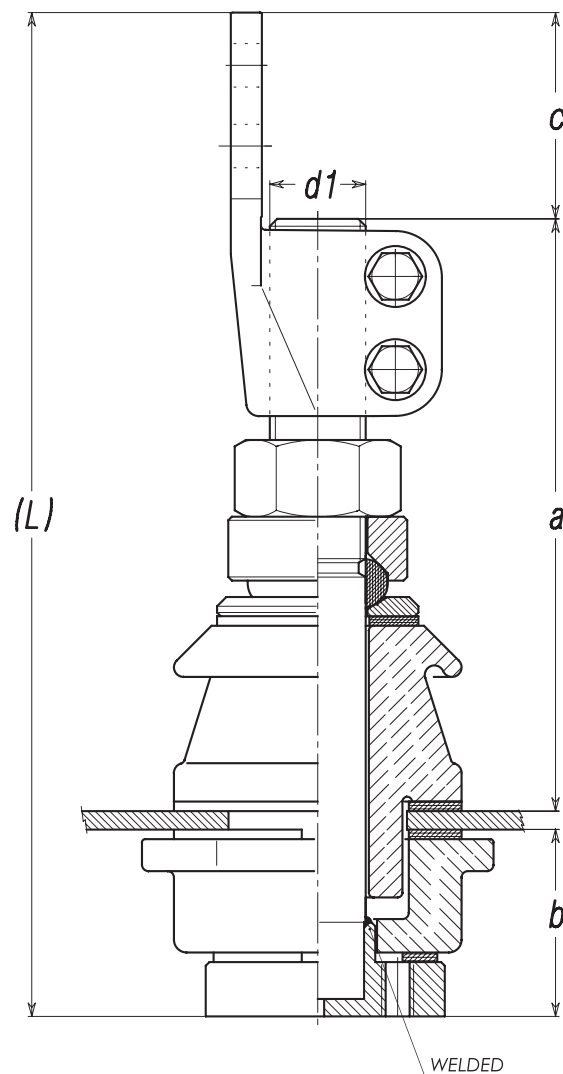


DIN

Complete bushings with insulators

Complete bushings with insulators for transformers DIN 42530
Nominal Voltage until 1 kV - 1000 ÷ 3150 A

| CLASS | DT - 1/1000 | DT - 1/2000 | DT - 1/3150 |
|--------------|-------------|-------------|-------------|
| <i>d1</i> | M30x2 | M42x3 | M48x3 |
| <i>a</i> | 203 | 240 | 252 |
| <i>b</i> | 60 | 65 | 70 |
| <i>c</i> | 60 | 100 | 120 |
| (L) | 323 | 405 | 442 |
| Weight (gr.) | 4800 | 11000 | 15500 |







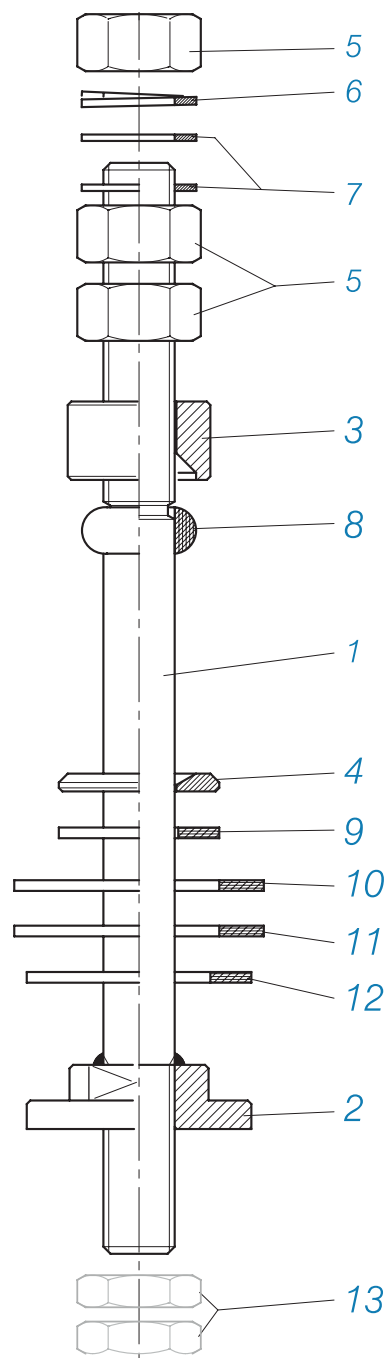
Pass connections for insulators of DIN 42539 transformers
Nominal Voltage until 3.6 kV - 250 ÷ 630 A

| CLASS | DT - 3/250 | DT - 3/630 |
|-------|------------|------------|
|-------|------------|------------|

| Pos. refer. | Q. ty | Description |
|-------------|-------|-----------------|
| 1 | 1 | Connecting bolt |
| 2 | 1 | Ring nut |
| 3 | 1 | Washer 90° |
| 4 | 1 | Washer 120° |
| 5 | 3 | Nut |
| 6 | 1 | Spring washer |
| 7 | 2 | Brass washer |
| 8 | 1 | J gasket |
| 9 | 1 | M gasket |
| 10 | 1 | N gasket |
| 11 | 1 | O gasket |
| 12 | 1 | P gasket |
| 13 | 2 | Half Nut |

On request: Gasket

-  NBR
-  Viton
-  Fl. Silicon
-  Silicon





+

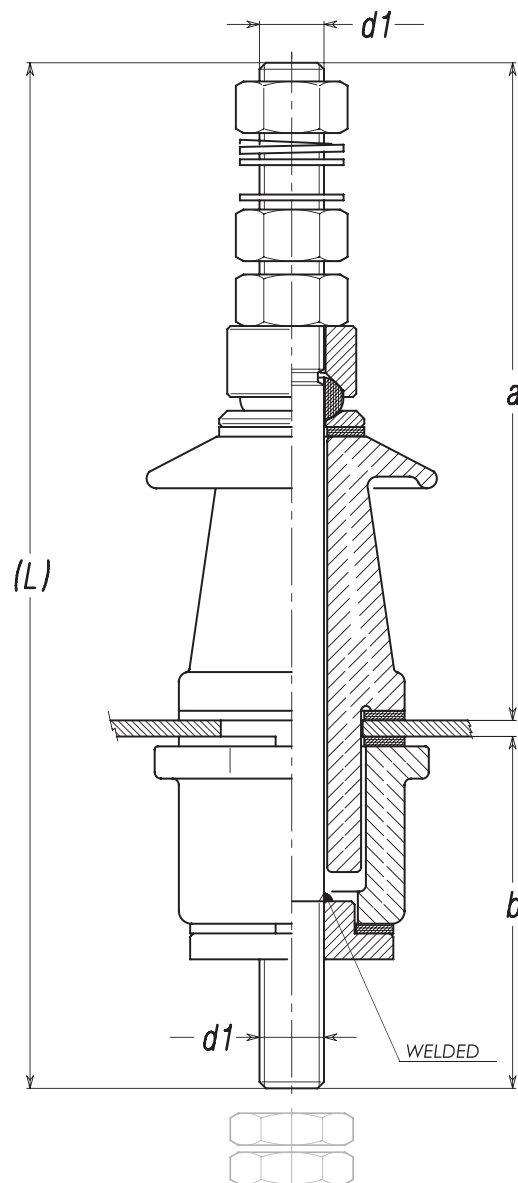


DIN

Complete bushings with insulators

Complete bushings with insulators for transformers DIN 42539
Nominal Voltage until 3.6 kV - 250 ÷ 630 A

| CLASS | DT - 3/250 | DT - 3/630 |
|---------------------|-------------------|-------------------|
| <i>d1</i> | <i>M12</i> | <i>M20</i> |
| <i>a</i> | <i>180</i> | <i>210</i> |
| <i>b</i> | <i>94</i> | <i>110</i> |
| <i>(L)</i> | <i>272</i> | <i>318</i> |
| <i>Weight (gr.)</i> | <i>1250</i> | <i>2500</i> |







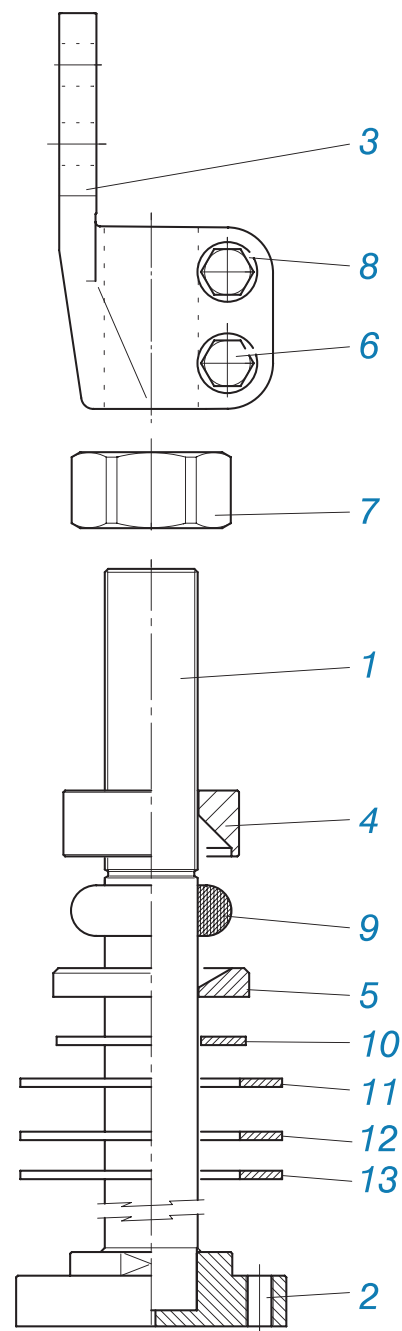
Pass connections for insulators of DIN 42539 transformers
Nominal Voltage until 3.6 kV - 1000 ÷ 3150 A

| CLASS | DT - 3/1000 | DT - 3/2000 | DT - 3/3150 |
|-------|-------------|-------------|-------------|
|-------|-------------|-------------|-------------|

| Pos. refer. | Q. ty | Description |
|--|-------|-----------------|
| 1 | 1 | Connecting bolt |
| 2 | 1 | Ring nut |
| 3 | 1 | Connecting flag |
| 4 | 1 | Washer 90° |
| 5 | 1 | Washer 120° |
| 6 | 2 | Bolt |
| 7 | 1 | Nut |
| 8 | 2 | Flat washer |
| 9  | 1 | J gasket |
| 10  | 1 | M gasket |
| 11  | 1 | N gasket |
| 12  | 1 | X gasket |
| 13  | 1 | R gasket |

On request: Gasket

-  NBR
-  Viton
-  Fl. Silicon
-  Silicon





+

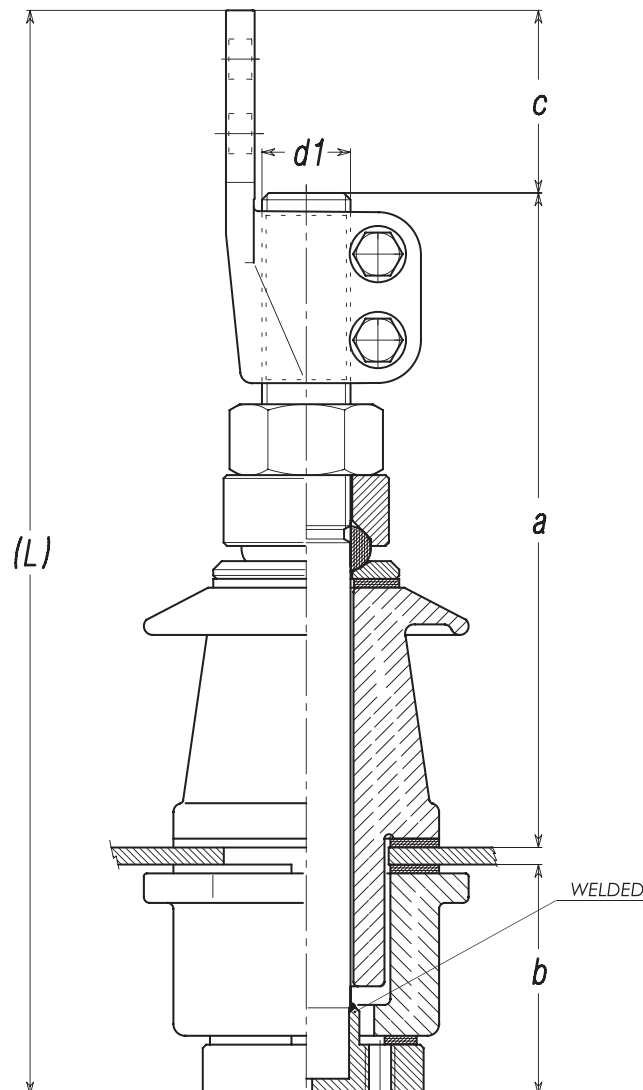


DIN

Complete bushings with insulators




Complete bushings with insulators for transformers DIN 42539
Nominal Voltage until 3.6 kV - 1000 ÷ 3150 A

| CLASS | DT - 3/1000 | DT - 3/2000 | DT - 3/3150 |
|---------------------|--------------------|--------------------|--------------------|
| <i>d1</i> | <i>M30x2</i> | <i>M42x3</i> | <i>M48x3</i> |
| <i>a</i> | 234 | 272 | 284 |
| <i>b</i> | 80 | 86 | 92 |
| <i>c</i> | 60 | 100 | 120 |
| <i>(L)</i> | 374 | 458 | 496 |
| <i>Weight (gr.)</i> | 5840 | 12000 | 16100 |







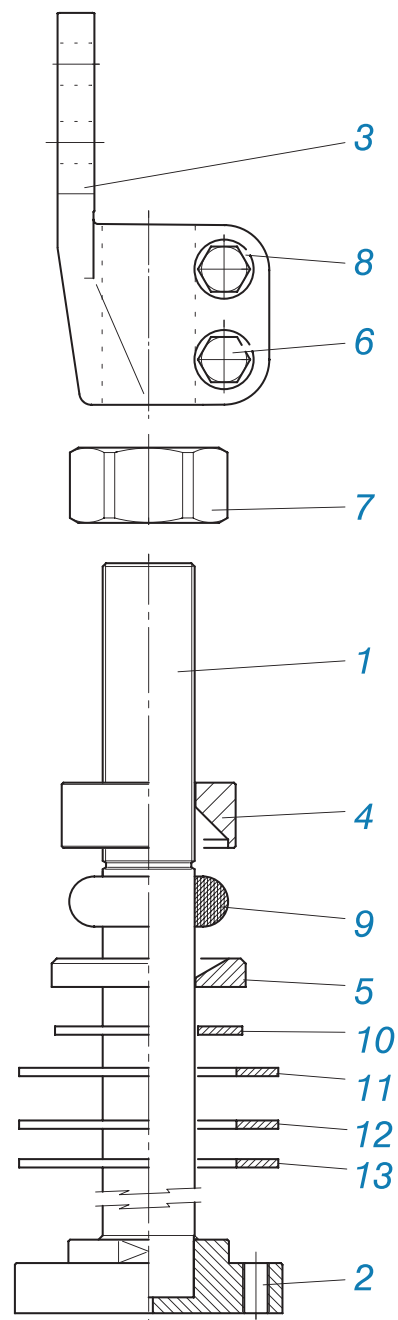
Pass connections for insulators of transformers
Nominal Voltage until 3.6 kV - 4500 A

CLASS DT - 3/4500

| Pos. refer. | Q. ty | Description |
|--|-------|-----------------|
| 1 | 1 | Connecting bolt |
| 2 | 1 | Ring nut |
| 3 | 1 | Connecting flag |
| 4 | 1 | Washer 90° |
| 5 | 1 | Washer 120° |
| 6 | 2 | Bolt |
| 7 | 1 | Nut |
| 8 | 2 | Flat washer |
| 9  | 1 | J gasket |
| 10  | 1 | M gasket |
| 11  | 1 | N gasket |
| 12  | 1 | X gasket |
| 13  | 2 | R gasket |

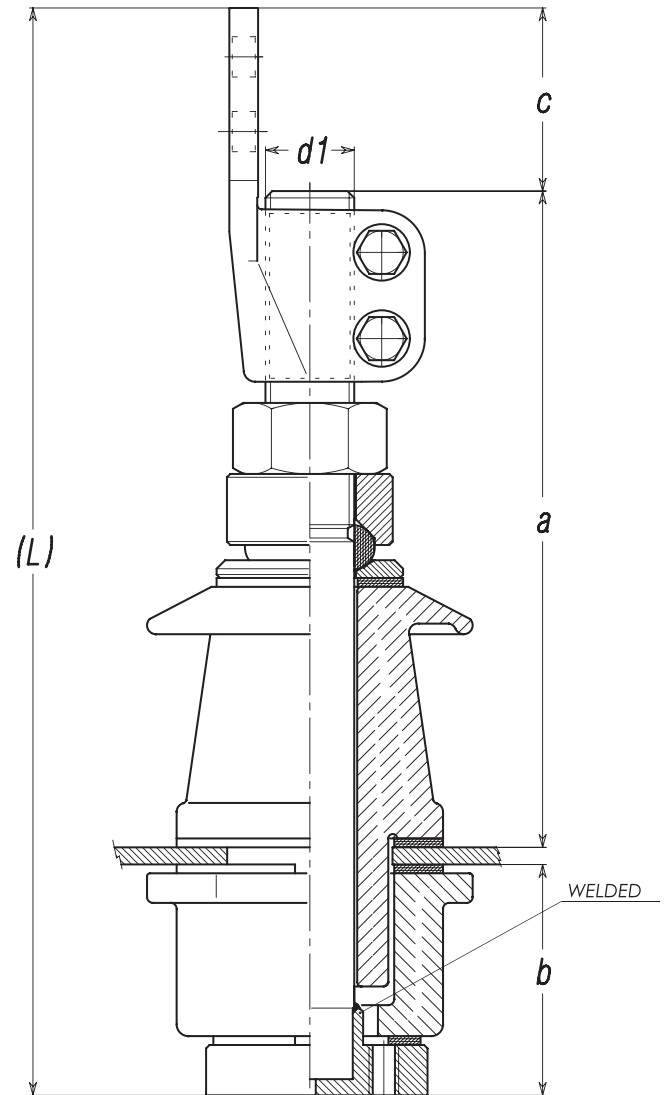
On request: Gasket

-  NBR
-  Viton
-  Fl. Silicon
-  Silicon



Complete bushings with insulators for transformers
Nominal Voltage until 3.6 kV - 4500 A

| CLASS | DT - 3/4500 |
|--------------|-------------|
| <i>d1</i> | M55x3 |
| <i>a</i> | 334 |
| <i>b</i> | 111 |
| <i>c</i> | 150 |
| <i>(L)</i> | 595 |
| Weight (gr.) | 32110 |









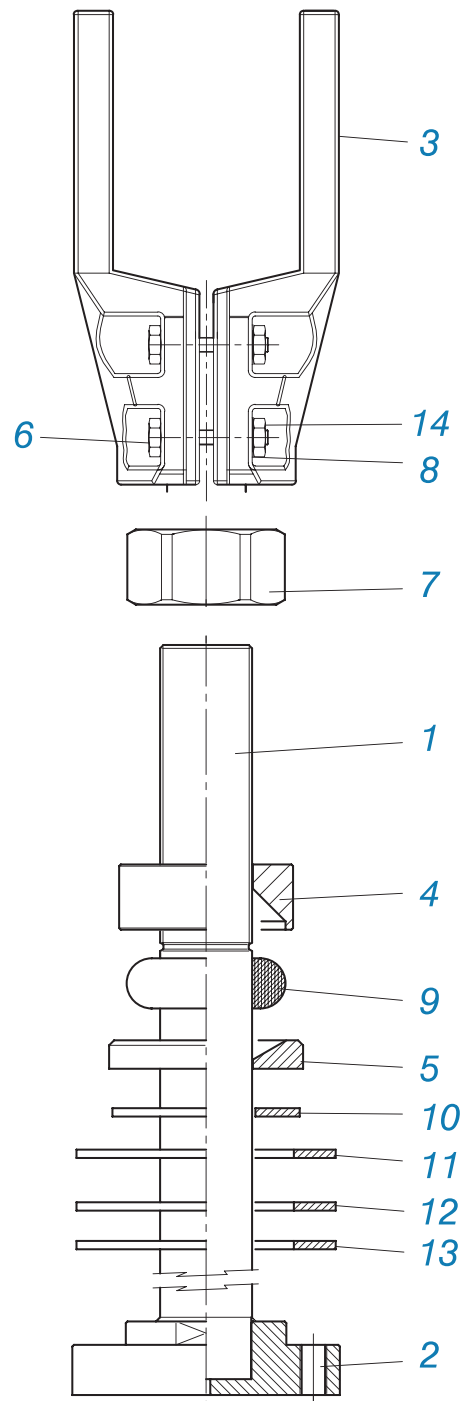
Pass connections for insulators of transformers
Nominal Voltage until 3.6 kV - 6300 A

CLASS DT - 3/6300

| Pos. refer. | Q. ty | Description |
|-------------|-------|-----------------|
| 1 | 1 | Connecting bolt |
| 2 | 1 | Ring nut |
| 3 | 1 | Connecting flag |
| 4 | 1 | Washer 90° |
| 5 | 1 | Washer 120° |
| 6 | 2 | Bolt |
| 7 | 1 | Nut |
| 8 | 2 | Flat washer |
| 9 | 1 | J gasket |
| 10 | 1 | M gasket |
| 11 | 1 | N gasket |
| 12 | 1 | X gasket |
| 13 | 2 | R gasket |
| 14 | 4 | Nut |

On request: Gasket

-  NBR
-  Viton
-  Fl. Silicon
-  Silicon





+

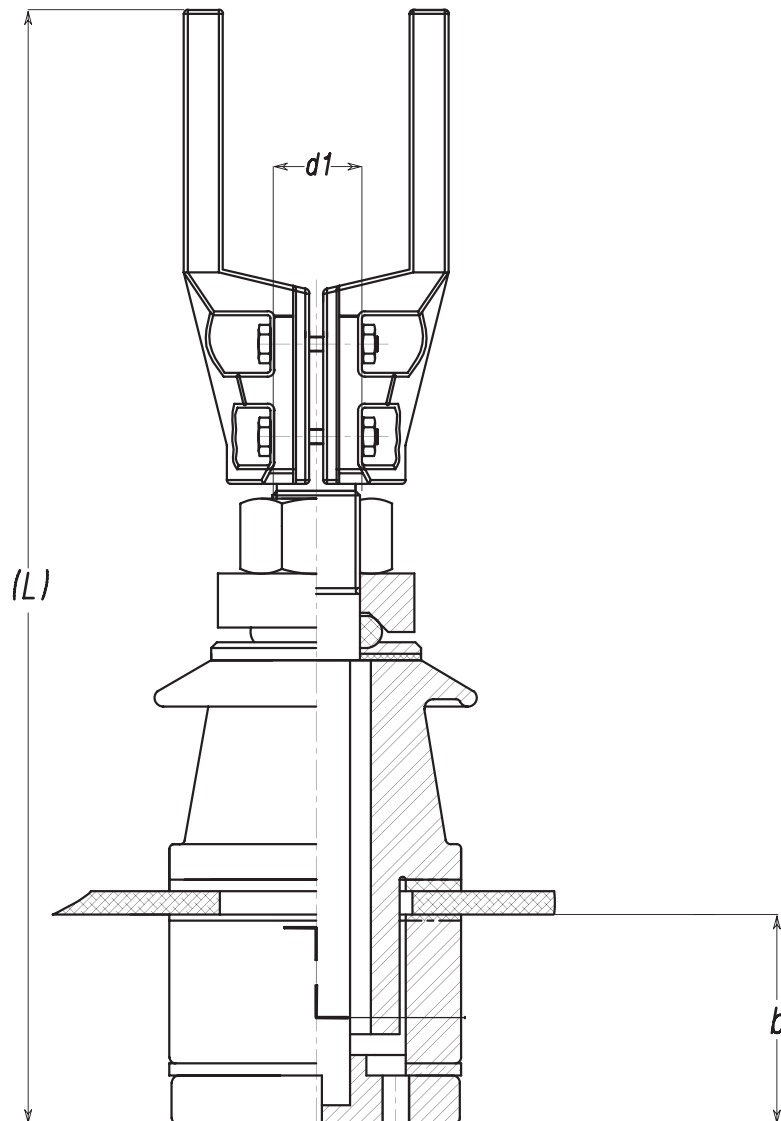


DIN

Complete bushings with insulators

Complete bushings with insulators for transformers
Nominal Voltage until 3.6 kV - 6300 A

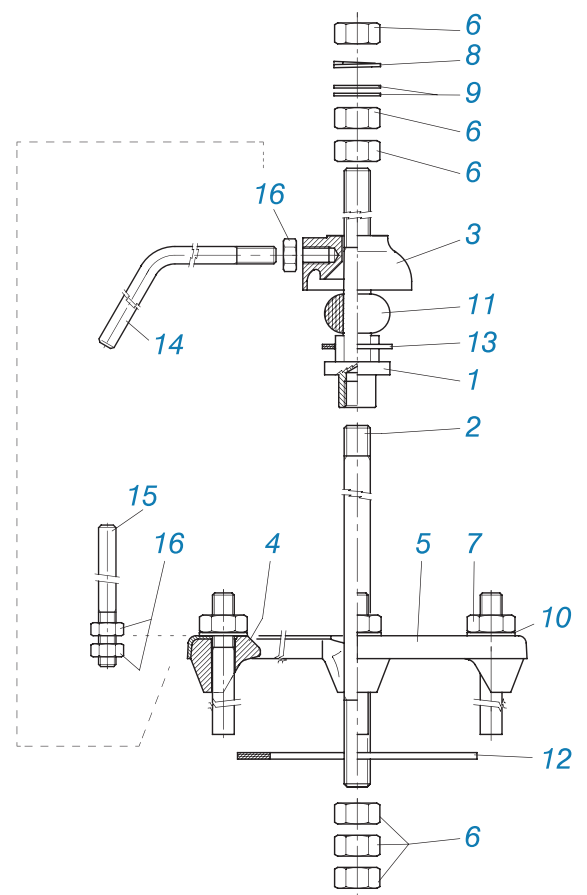
| <i>CLASS</i> | <i>DT - 3/6300</i> |
|--------------|--------------------|
| <i>d1</i> | <i>M64x3</i> |
| <i>b</i> | <i>98,5</i> |
| <i>(L)</i> | <i>571,5</i> |



Pass connections for insulators of DIN 42531 transformers Nominal Voltage of 10 to 30 kV system nominal current 250 A









| CLASS | 10 kV - 250 A | 20 kV - 250 A | 30 kV - 250 A |
|-------|---------------|---------------|---------------|
|-------|---------------|---------------|---------------|

| Pos. refer. | Q. ty | Description |
|---|-------|------------------------|
| 1 | 1 | Clamping threaded bolt |
| 2 | 1 | Lower threaded bolt |
| 3 | 1 | Cap |
| 4 | 4 | Alu. Clamping |
| 5  | 1 | Fixing ring |
| 6 | 6 | Nut |
| 7 | 4 | Nut |
| 8 | 1 | Elastic washer |
| 9 | 2 | Brass washer |
| 10 | 4 | Flat washer |
| 11 | 1 | J gasket |
| 12 | 1 | N gasket |
| 13 | 1 | O gasket |
| 14 | 1 | Upper stem |
| 15 | 1 | Lower stem |
| 16 | 3 | Nut |



On request: Gasket

Fixing Ring

- | | |
|---|--|
|  NBR |  St. |
|  Viton |  Inox |
|  Fl. Silicon |  Alu. |
|  Silicon | |
|  Klingrit | |



+

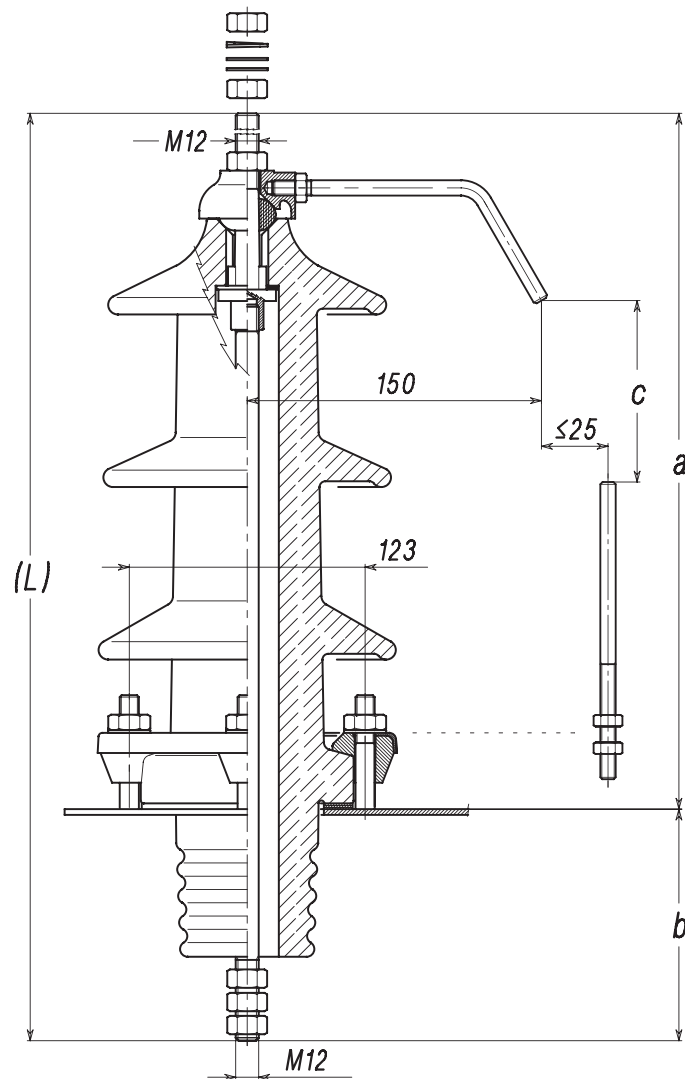


DIN

Complete bushings with insulators


Complete bushings with insulators for transformers DIN 42531
Nominal Voltage of 10 to 30 kV system - Nominal current 250 A

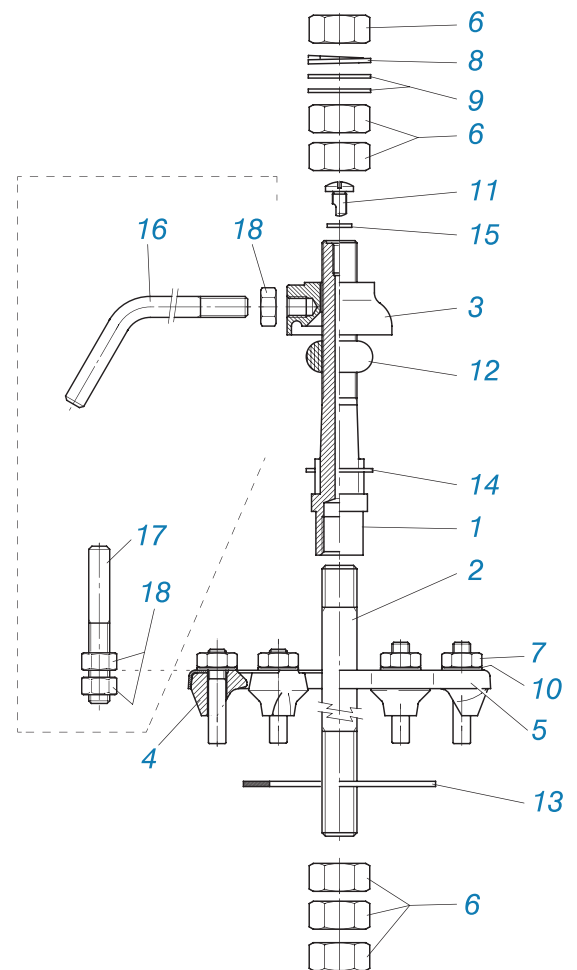
| CLASS | 10 kV - 250 A | 20 kV - 250 A | 30 kV - 250 A |
|--------------|---------------|---------------|---------------|
| a | 310 | 385 | 485 |
| b | 117 | 132 | 132 |
| c | 70 | 100 | 200 |
| (L) | 427 | 517 | 617 |
| Weight (gr.) | 4530 | 6150 | 7650 |



Pass connections for insulators of DIN 42532 transformers Nominal Voltage of 10 to 30 kV system nominal current 630 A






| CLASS | 10 kV - 630 A | 20 kV - 630 A | 30 kV - 630 A |
|-------|---------------|---------------|---------------|
|-------|---------------|---------------|---------------|

| Pos. refer. | Q. ty | Description |
|--|-------|------------------------|
| 1 | 1 | Clamping threaded bolt |
| 2 | 1 | Lower threaded bolt |
| 3 | 1 | Cap |
| 4 | 6 | Alu. Clamping |
| 5  | 1 | Fixing ring |
| 6 | 6 | Nut |
| 7 | 6 | Nut |
| 8 | 1 | Spring washer |
| 9 | 2 | Brass washer |
| 10 | 6 | Flat washer |
| 11 | 1 | Exhaust screw |
| 12  | 1 | J gasket |
| 13  | 1 | N gasket |
| 14  | 1 | O gasket |
| 15 | 1 | PTFE gasket |
| 16 | 1 | Upper stem |
| 17 | 1 | Lower stem |
| 18 | 3 | Nut |



On request: Gasket

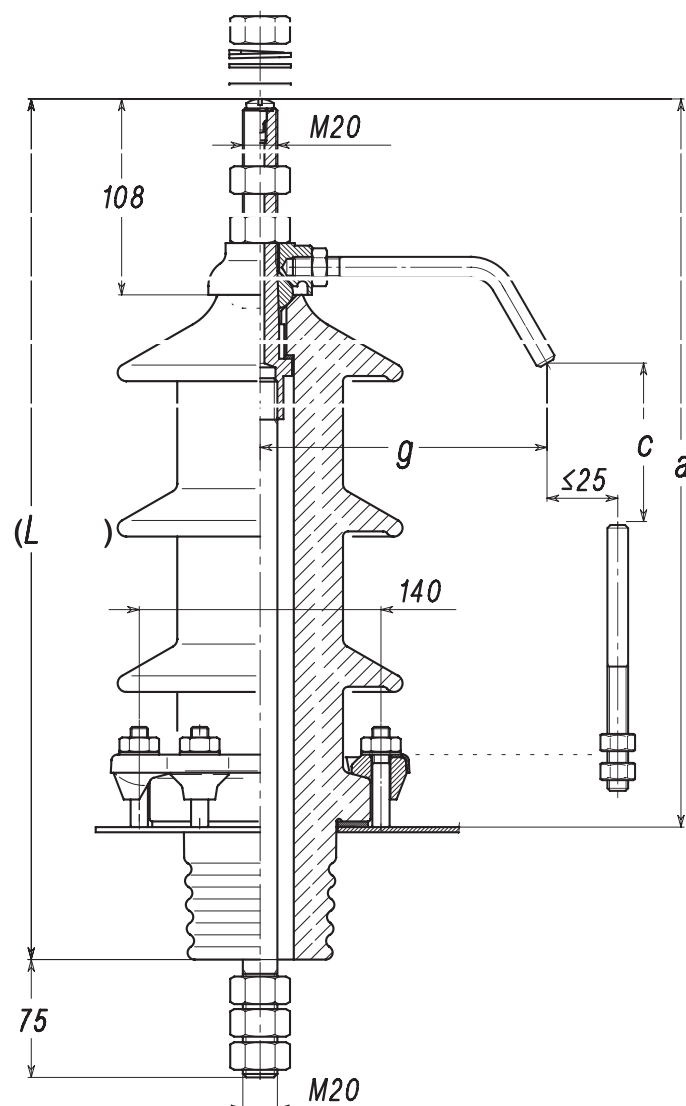
Fixing Ring

-  NBR
-  Viton
-  Fl. Silicon
-  Silicon
-  Klingrit

-  St.
-  Inox
-  Alu.

Complete bushings with insulators for transformers DIN 42532
Nominal Voltage of 10 to 30 kV system - Nominal current 630 A

| CLASS | 10 kV - 630 A | 20 kV - 630 A | 30 kV - 630 A |
|--------------|---------------|---------------|---------------|
| a | 342 | 417 | 522 |
| c | 70 | 100 | 200 |
| g | 180 | 180 | 200 |
| (L) | 403 | 493 | 618 |
| Weight (gr.) | 7170 | 9850 | 14600 |

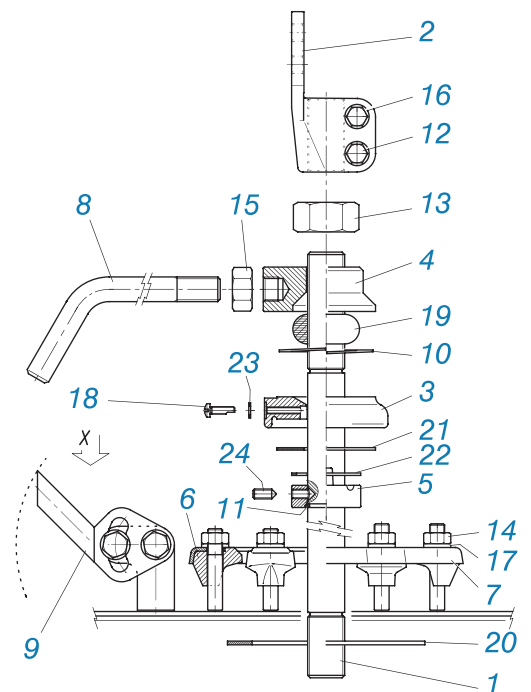




Pass connections for insulators of DIN 42533 transformers Nominal Voltage of 10 to 30 kV system nominal current 1000 A

| CLASS | 10 kV - 1000 A | 20 kV - 1000 A | 30 kV - 1000 A |
|-------|----------------|----------------|----------------|
|-------|----------------|----------------|----------------|

| Pos. refer. | Q. ty | Description |
|-------------|-------|------------------------|
| 1 | 1 | Connecting bolt |
| 2 | 1 | Connecting flag |
| 3 | 1 | Cap |
| 4 | 1 | Disc |
| 5 | 1 | Pressure ring |
| 6 | 6 | Alu. Clamping |
| 7 | 1 | Fixing ring |
| 8 | 1 | Upper stem |
| 9 | 1 | Lower stem |
| 10 | 1 | Snap ring |
| 11 | 1 | Stop ring |
| 12 | 2 | Hexagon head cap screw |
| 13 | 1 | Nut |
| 14 | 8 | Nut |
| 15 | 1 | Nut |
| 16 | 2 | Flat washer |
| 17 | 6 | Flat washer |
| 18 | 1 | Exhaust screw |
| 19 | 1 | J gasket |
| 20 | 1 | N gasket |
| 21 | 1 | M gasket |
| 22 | 1 | O gasket |
| 23 | 1 | PTFE gasket |
| 24 | 2 | Grub screw |



On request: Gasket

Fixing Ring

- NBR
- Viton
- Fl. Silicon
- Silicon
- Klingrit

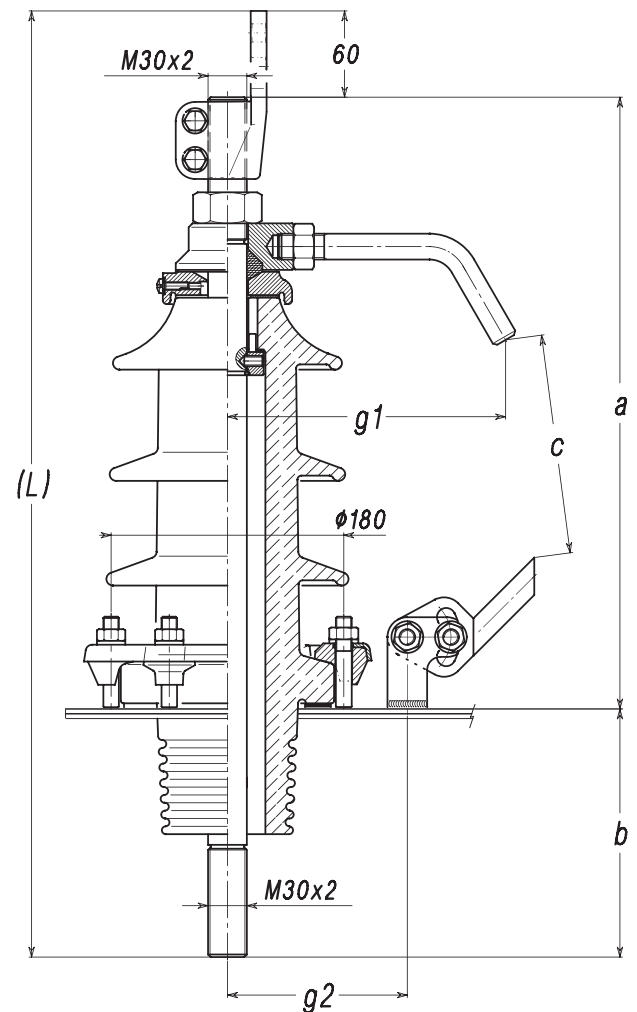
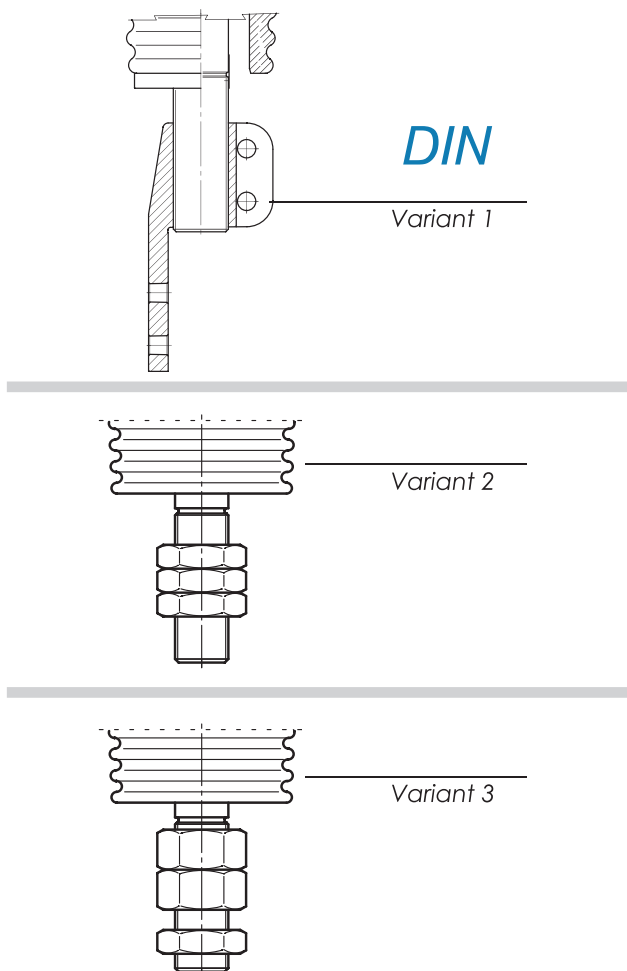
- Alu.



Complete bushings with insulators for transformers DIN 42533
Nominal Voltage of 10 to 30 kV system - Nominal current 1000 A

| CLASS | 10 kV - 1000 A | 20 kV - 1000 A | 30 kV - 1000 A |
|--------------|----------------|----------------|----------------|
| a | 395 | 470 | 575 |
| b | 158 | 168 | 198 |
| c | 85 | 155 | 220 |
| g1 | 225 | 225 | 285 |
| g2 | 138 | 138 | 138 |
| (L) | 613 | 698 | 833 |
| Weight (gr.) | 15200 | 18560 | 22050 |

On request: With lower connection

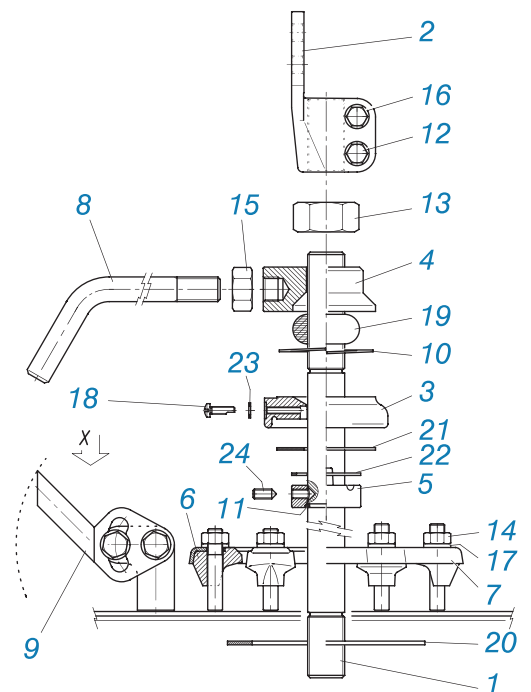




Pass connections for insulators of DIN 42533 transformers Nominal voltage of 10 to 30 kV system nominal current 2000 A

| CLASS | 10 kV - 2000 A | 20 kV - 2000 A | 30 kV - 2000 A |
|-------|----------------|----------------|----------------|
|-------|----------------|----------------|----------------|

| Pos. refer. | Q. ty | Description |
|-------------|-------|------------------------|
| 1 | 1 | Connecting bolt |
| 2 | 1 | Connecting flag |
| 3 | 1 | Cap |
| 4 | 1 | Disc |
| 5 | 1 | Pressure ring |
| 6 | 6 | Alu. Clamping |
| 7 | 1 | Fixing ring |
| 8 | 1 | Upper stem |
| 9 | 1 | Lower stem |
| 10 | 1 | Snap ring |
| 11 | 1 | Stop ring |
| 12 | 2 | Hexagon head cap screw |
| 13 | 1 | Nut |
| 14 | 8 | Nut |
| 15 | 1 | Nut |
| 16 | 2 | Flat washer |
| 17 | 6 | Flat washer |
| 18 | 1 | Exhaust screw |
| 19 | 1 | J gasket |
| 20 | 1 | N gasket |
| 21 | 1 | M gasket |
| 22 | 1 | O gasket |
| 23 | 1 | PTFE gasket |
| 24 | 2 | Grub screw |



On request: Gasket

Fixing Ring

- NBR
- Viton
- Fl. Silicon
- Silicon
- Klingrit

- Alu.



+



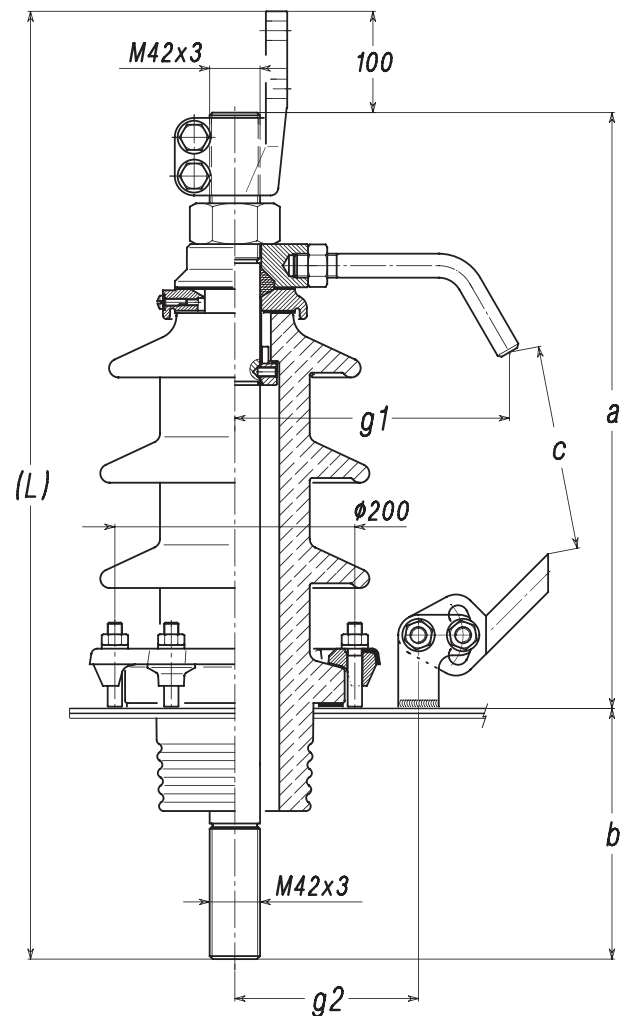
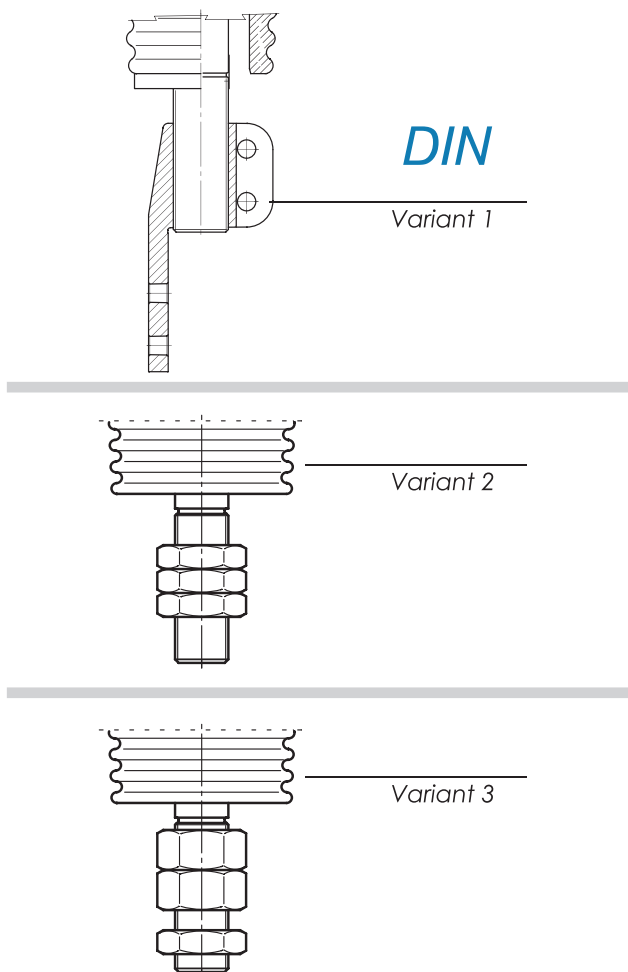
DIN

Complete bushings with insulators

Complete bushings with insulators for transformers DIN 42533
Nominal Voltage of 10 to 30 kV system - Nominal current 2000 A

| CLASS | 10 kV - 2000 A | 20 kV - 2000 A | 30 kV - 2000 A |
|--------------|----------------|----------------|----------------|
| a | 430 | 505 | 610 |
| b | 158 | 168 | 198 |
| c | 85 | 155 | 220 |
| g1 | 230 | 230 | 290 |
| g2 | 148 | 148 | 148 |
| (L) | 688 | 773 | 908 |
| Weight (gr.) | 24440 | 28350 | 34050 |

On request: With lower connection

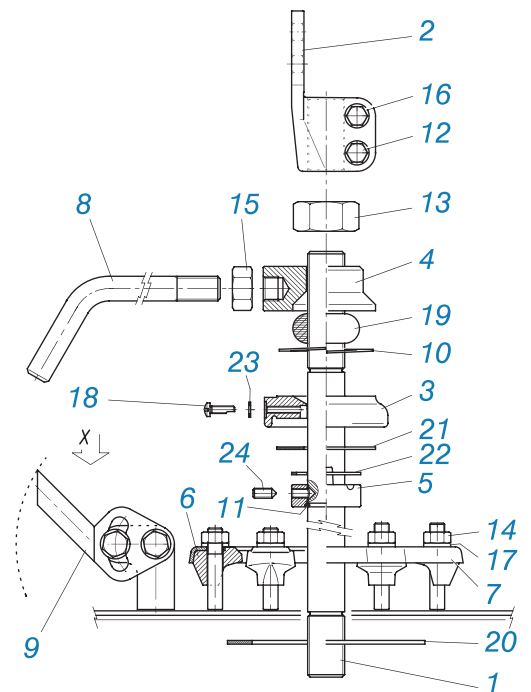




Pass connections for insulators of DIN 42533 transformers Nominal voltage of 10 to 30 kV system nominal current 3150 A

| CLASS | 10 kV - 3150 A | 20 kV - 3150 A | 30 kV - 3150 A |
|-------|----------------|----------------|----------------|
|-------|----------------|----------------|----------------|

| Pos. refer. | Q. ty | Description |
|-------------|-------|------------------------|
| 1 | 1 | Connecting bolt |
| 2 | 1 | Connecting flag |
| 3 | 1 | Cap |
| 4 | 1 | Disc |
| 5 | 1 | Pressure ring |
| 6 | 6 | Alu. Clamping |
| 7 | 1 | Fixing ring |
| 8 | 1 | Upper stem |
| 9 | 1 | Lower stem |
| 10 | 1 | Snap ring |
| 11 | 1 | Stop ring |
| 12 | 2 | Hexagon head cap screw |
| 13 | 1 | Nut |
| 14 | 8 | Nut |
| 15 | 1 | Nut |
| 16 | 2 | Flat washer |
| 17 | 6 | Flat washer |
| 18 | 1 | Exhaust screw |
| 19 | 1 | J gasket |
| 20 | 1 | N gasket |
| 21 | 1 | M gasket |
| 22 | 1 | O gasket |
| 23 | 1 | PTFE gasket |
| 24 | 2 | Grub screw |



On request: Gasket

Fixing Ring

- NBR
- Viton
- Fl. Silicon
- Silicon
- Klingrit

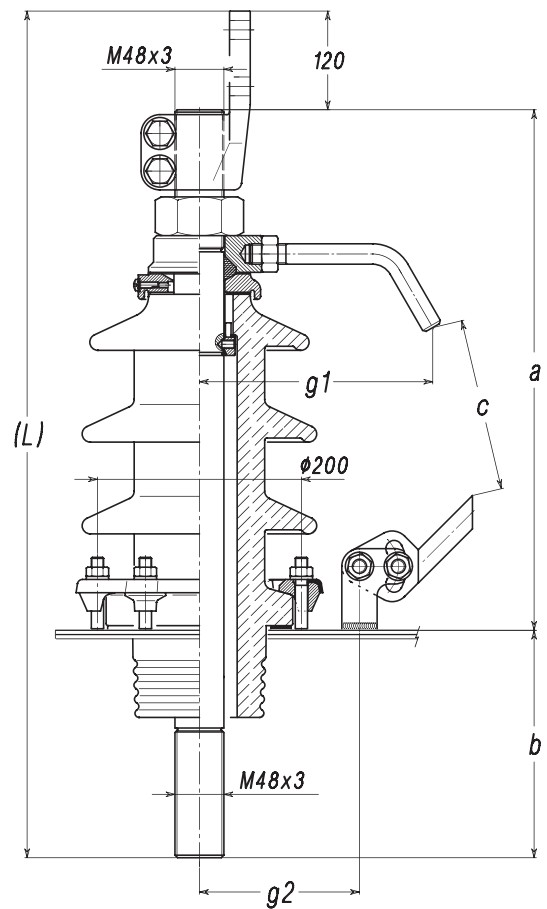
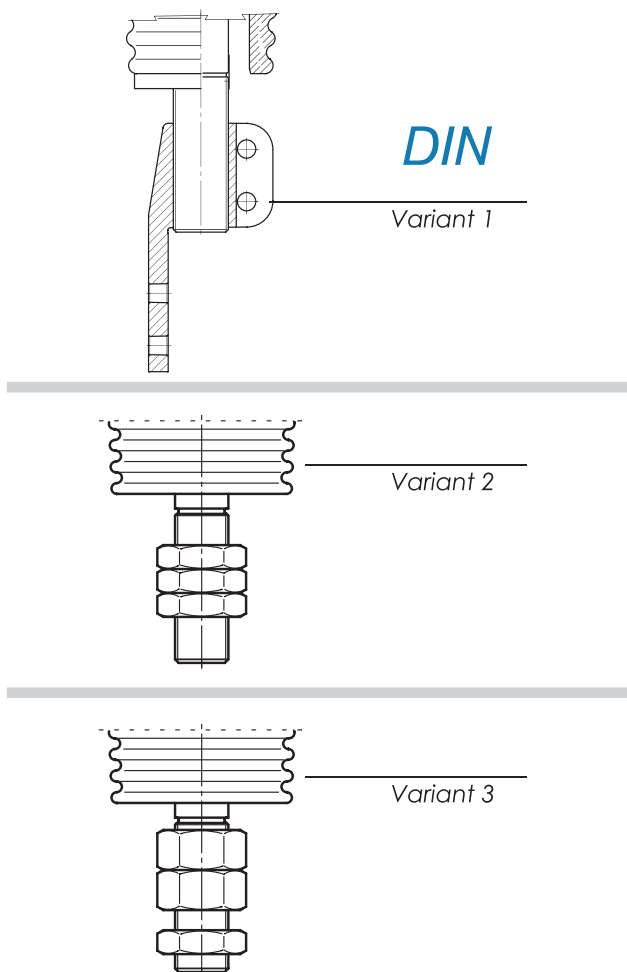
- Alu.



Complete bushings with insulators for transformers DIN 42533
Nominal Voltage of 10 to 30 kV system - Nominal current 3150 A

| CLASS | 10 kV - 3150 A | 20 kV - 3150 A | 30 kV - 3150 A |
|--------------|----------------|----------------|----------------|
| a | 440 | 495 | 600 |
| b | 158 | 168 | 198 |
| c | 85 | 155 | 220 |
| g1 | 235 | 235 | 295 |
| g2 | 148 | 148 | 148 |
| (L) | 718 | 803 | 938 |
| Weight (gr.) | 28150 | 32470 | 38770 |

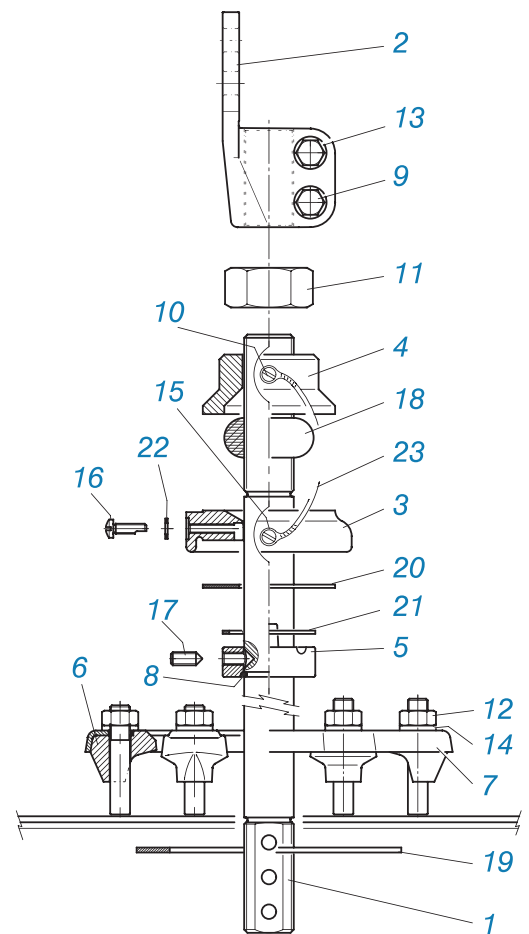
On request: With lower connection



Pass connections for insulators of transformers Nominal voltage of 12 to 36 kV system nominal current 4500 A

| CLASS | 10 kV - 4500 A | 20 kV - 4500 A | 30 kV - 4500 A |
|-------|----------------|----------------|----------------|
|-------|----------------|----------------|----------------|

| Pos. refer. | Q. ty | Description |
|-------------|-------|------------------------|
| 1 | 1 | Connecting bolt |
| 2 | 1 | Connecting flag |
| 3 | 1 | Cap |
| 4 | 1 | Disc |
| 5 | 1 | Pressure ring |
| 6 | 6 | Alu. Clamping |
| 7 | 1 | Fixing ring |
| 8 | 1 | Stop ring |
| 9 | 2 | Hexagon head cap screw |
| 10 | 2 | Hexagon head cap screw |
| 11 | 1 | Nut |
| 12 | 6 | Nut |
| 13 | 2 | Flat washer |
| 14 | 6 | Flat washer |
| 15 | 2 | Flat washer |
| 16 | 1 | Exhaust screw |
| 17 | 2 | Grub screw |
| 18 | 1 | J gasket |
| 19 | 1 | N gasket |
| 20 | 1 | M gasket |
| 21 | 1 | O gasket |
| 22 | 1 | PTFE gasket |
| 23 | 1 | Copper wire |



On request: Gasket Fixing Ring

- NBR
- Viton
- Fl. Silicon
- Silicon
- Klingrit

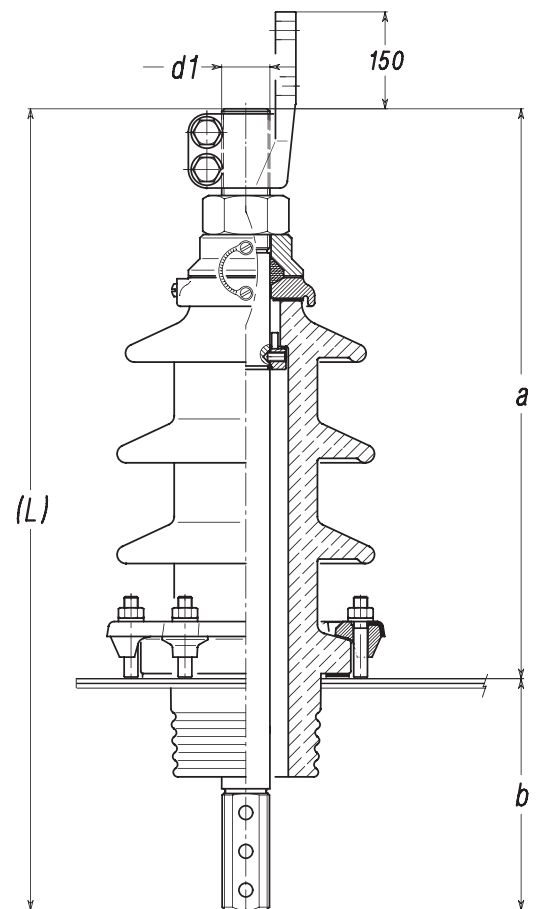
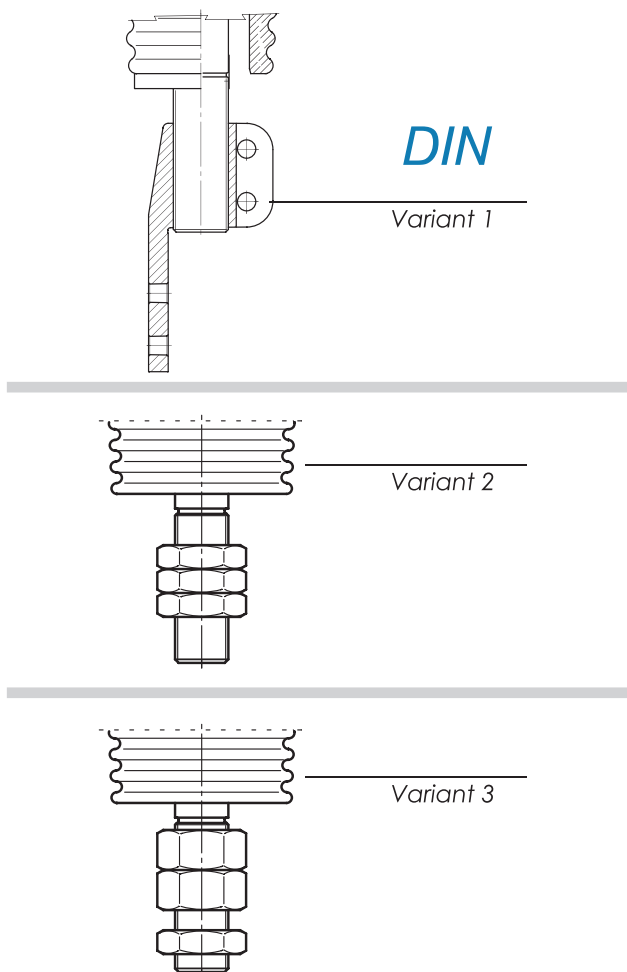
- Alu.



Complete bushings with insulators for transformers
Nominal Voltage of 12 to 36 kV system - Nominal current 4500 A

| CLASS | 10 kV - 4500 A | 20 kV - 4500 A | 30 kV - 4500 A |
|--------------|----------------|----------------|----------------|
| a | 474 | 534 | 654 |
| b | 210 | 220 | 230 |
| d1 | M55x3 | M55x3 | M55x3 |
| (L) | 669 | 754 | 884 |
| Weight (gr.) | 35000 | 40200 | 46000 |

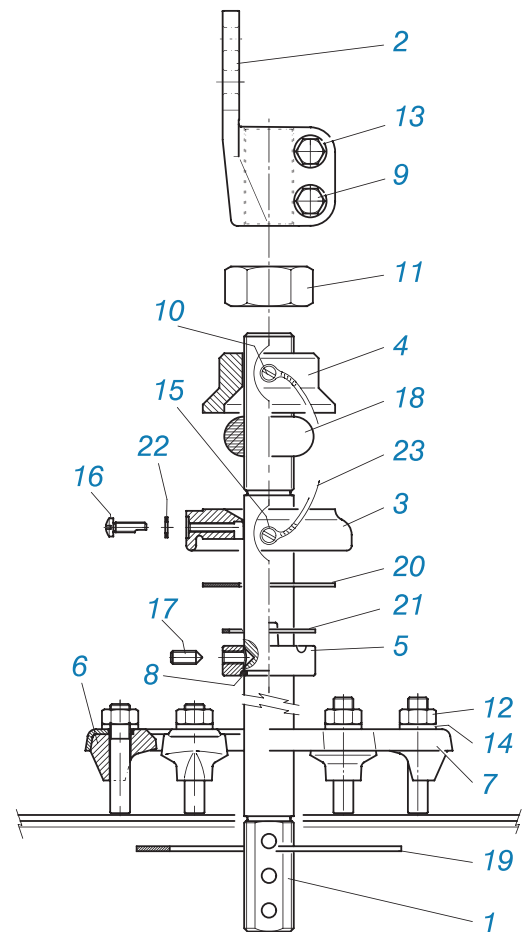
On request: With lower connection



Pass connections for insulators of transformers Nominal voltage of 12 to 36 kV system nominal current 5000 A

| CLASS | 10 kV - 5000 A | 20 kV - 5000 A | 30 kV - 5000 A |
|-------|----------------|----------------|----------------|
|-------|----------------|----------------|----------------|

| Pos. refer. | Q. ty | Description |
|-------------|-------|------------------------|
| 1 | 1 | Connecting bolt |
| 2 | 1 | Connecting flag |
| 3 | 1 | Cap |
| 4 | 1 | Disc |
| 5 | 1 | Pressure ring |
| 6 | 6 | Alu. Clamping |
| 7 | 1 | Fixing ring |
| 8 | 1 | Stop ring |
| 9 | 2 | Hexagon head cap screw |
| 10 | 2 | Hexagon head cap screw |
| 11 | 1 | Nut |
| 12 | 6 | Nut |
| 13 | 2 | Flat washer |
| 14 | 6 | Flat washer |
| 15 | 2 | Flat washer |
| 16 | 1 | Exhaust screw |
| 17 | 2 | Grub screw |
| 18 | 1 | J gasket |
| 19 | 1 | N gasket |
| 20 | 1 | M gasket |
| 21 | 1 | O gasket |
| 22 | 1 | PTFE gasket |
| 23 | 1 | Copper wire |



On request: Gasket Fixing Ring

- NBR
- Viton
- Fl. Silicon
- Silicon
- Klingrit

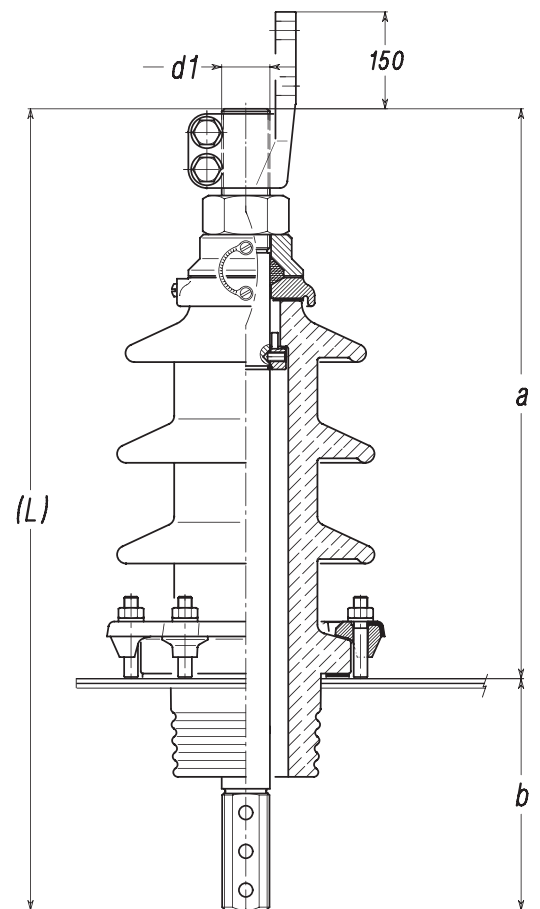
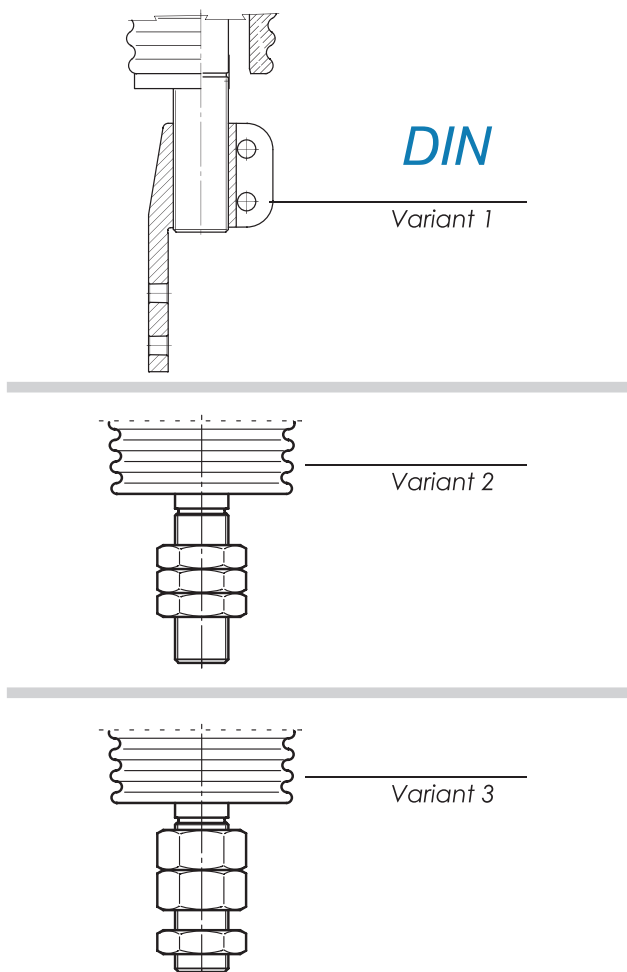
● Alu.



Complete bushings with insulators for transformers
Nominal Voltage of 12 to 36 kV system - Nominal current 5000 A

| CLASS | 10 kV - 5000 A | 20 kV - 5000 A | 30 kV - 5000 A |
|--------------|----------------|----------------|----------------|
| a | 474 | 534 | 654 |
| b | 210 | 220 | 230 |
| d1 | M55x3 | M55x3 | M55x3 |
| (L) | 669 | 754 | 884 |
| Weight (gr.) | 35000 | 40200 | 46000 |

On request: With lower connection

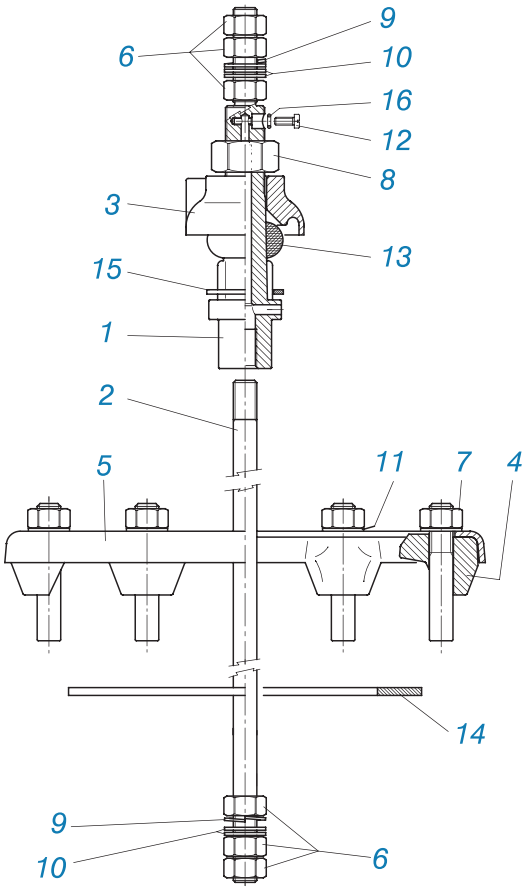




Pass connections for insulators of DIN 42534 transformers Nominal Voltage until 52 KV - Nominal current 250 A

CLASS 52 kV - 250 A

| Pos. refer. | Q. ty | Description |
|-------------|-------|------------------------|
| 1 | 1 | Clamping threaded bolt |
| 2 | 1 | Lower threaded bolt |
| 3 | 1 | Cap |
| 4 | 6 | Alu. Clamping |
| 5 | 1 | Fixing ring |
| 6 | 6 | Nut |
| 7 | 6 | Nut |
| 8 | 1 | Nut |
| 9 | 2 | Spring washer |
| 10 | 4 | Brass washer |
| 11 | 6 | Flat washer |
| 12 | 1 | Exhaust screw |
| 13 | 1 | J gasket |
| 14 | 1 | N gasket |
| 15 | 1 | O gasket |
| 16 | 1 | O-ring |



On request: Gasket

Fixing Ring

- NBR
- Viton
- Fl. Silicon
- Silicon
- Klingrit

- Alu.



+

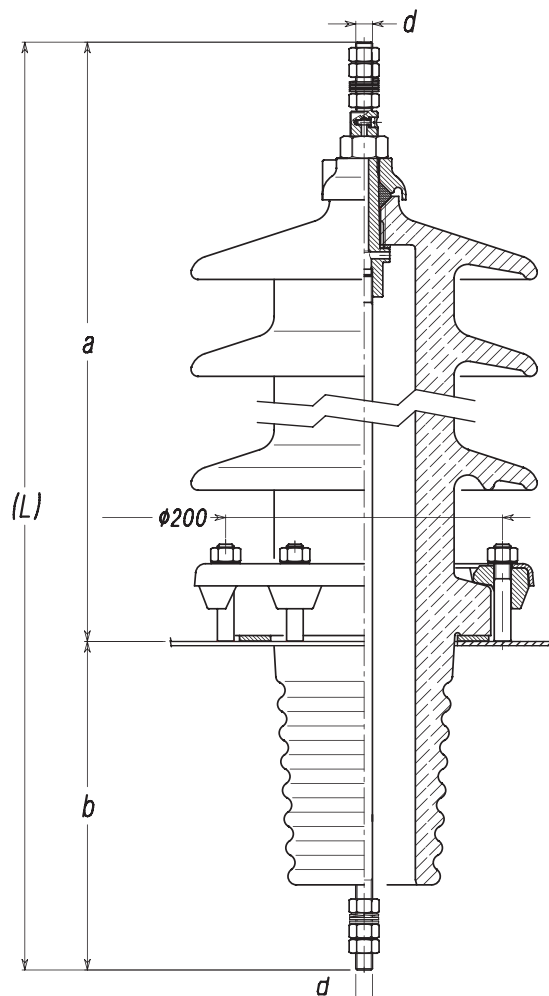


DIN

Complete bushings with insulators

Complete bushings with insulators for transformers DIN 42534
Nominal Voltage until 52 KV - Nominal current 250 A

| <i>CLASS</i> | <i>52 kV - 250 A</i> |
|---------------------|----------------------|
| <i>d</i> | <i>M12</i> |
| <i>a</i> | <i>625</i> |
| <i>b</i> | <i>245</i> |
| <i>(L)</i> | <i>870</i> |
| <i>Weight (gr.)</i> | <i>25400</i> |

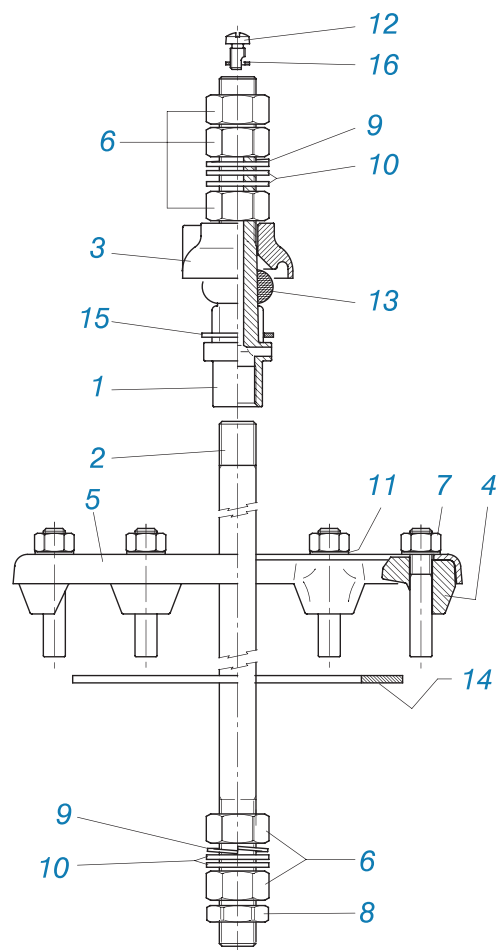




Pass connections for insulators of DIN 42534 transformers Nominal Voltage until 52 KV - Nominal current 630 A

CLASS 52 KV - 630 A

| Pos. refer. | Q. ty | Description |
|-------------|-------|------------------------|
| 1 | 1 | Clamping threaded bolt |
| 2 | 1 | Lower threaded bolt |
| 3 | 1 | Cap |
| 4 | 6 | Alu. Clamping |
| 5 | 1 | Fixing ring |
| 6 | 4 | Nut |
| 7 | 6 | Nut |
| 8 | 1 | Half Nut |
| 9 | 3 | Spring washer |
| 10 | 4 | Brass washer |
| 11 | 6 | Flat washer |
| 12 | 1 | Exhaust screw |
| 13 | 1 | J gasket |
| 14 | 1 | N gasket |
| 15 | 1 | O gasket |
| 16 | 1 | PTFE gasket |



On request: Gasket

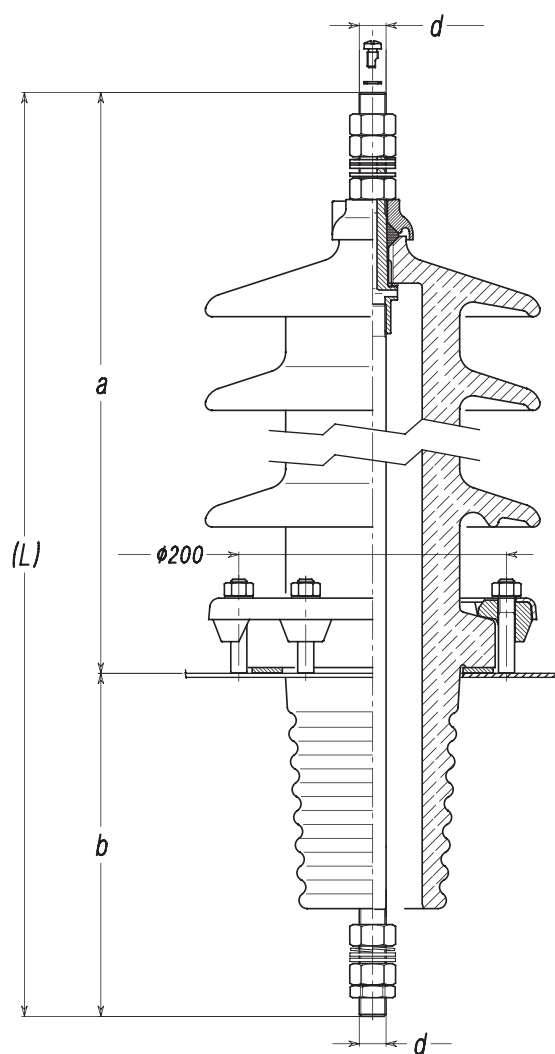
Fixing Ring

- NBR
- Viton
- Fl. Silicon
- Silicon
- Klingrit

- Alu.

Complete bushings with insulators for transformers DIN 42534
Nominal Voltage until 52 KV - Nominal current 630 A

| CLASS | 52 kV - 630 A |
|--------------|---------------|
| <i>d</i> | M20 |
| <i>a</i> | 630 |
| <i>b</i> | 260 |
| (L) | 890 |
| Weight (gr.) | 26840 |

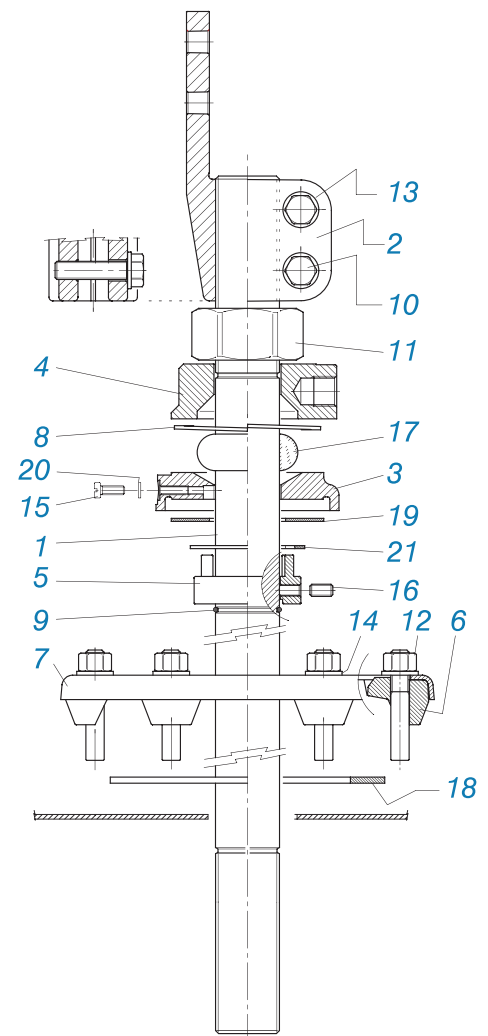




Pass connections for insulators of DIN 42534 transformers Nominal Voltage until 52 KV - Nominal current 1000 - 2000 - 3150 A

| CLASS | 52 kV - 1000 A | 52 kV - 2000 A | 52 kV - 3150 A |
|-------|----------------|----------------|----------------|
|-------|----------------|----------------|----------------|

| Pos. refer. | Q. ty | Description |
|-------------|-------|------------------------|
| 1 | 1 | Connecting bolt |
| 2 | 1 | Connecting flag |
| 3 | 1 | Cap |
| 4 | 1 | Disc |
| 5 | 1 | Pressure ring |
| 6 | 6 | Alu. Clamping |
| 7 | 1 | Fixing ring |
| 8 | 1 | Snap ring |
| 9 | 1 | Stop ring |
| 10 | 2 | Hexagon head cap screw |
| 11 | 1 | Nut |
| 12 | 6 | Nut |
| 13 | 2 | Flat washer |
| 14 | 6 | Flat washer |
| 15 | 1 | Exhaust screw |
| 16 | 2 | Grub screw |
| 17 | 1 | J gasket |
| 18 | 1 | N gasket |
| 19 | 1 | M gasket |
| 20 | 1 | PTFE gasket |
| 21 | 1 | O gasket |



On request: Gasket

Fixing Ring

- NBR
- Viton
- Fl. Silicon
- Silicon
- Klingrit

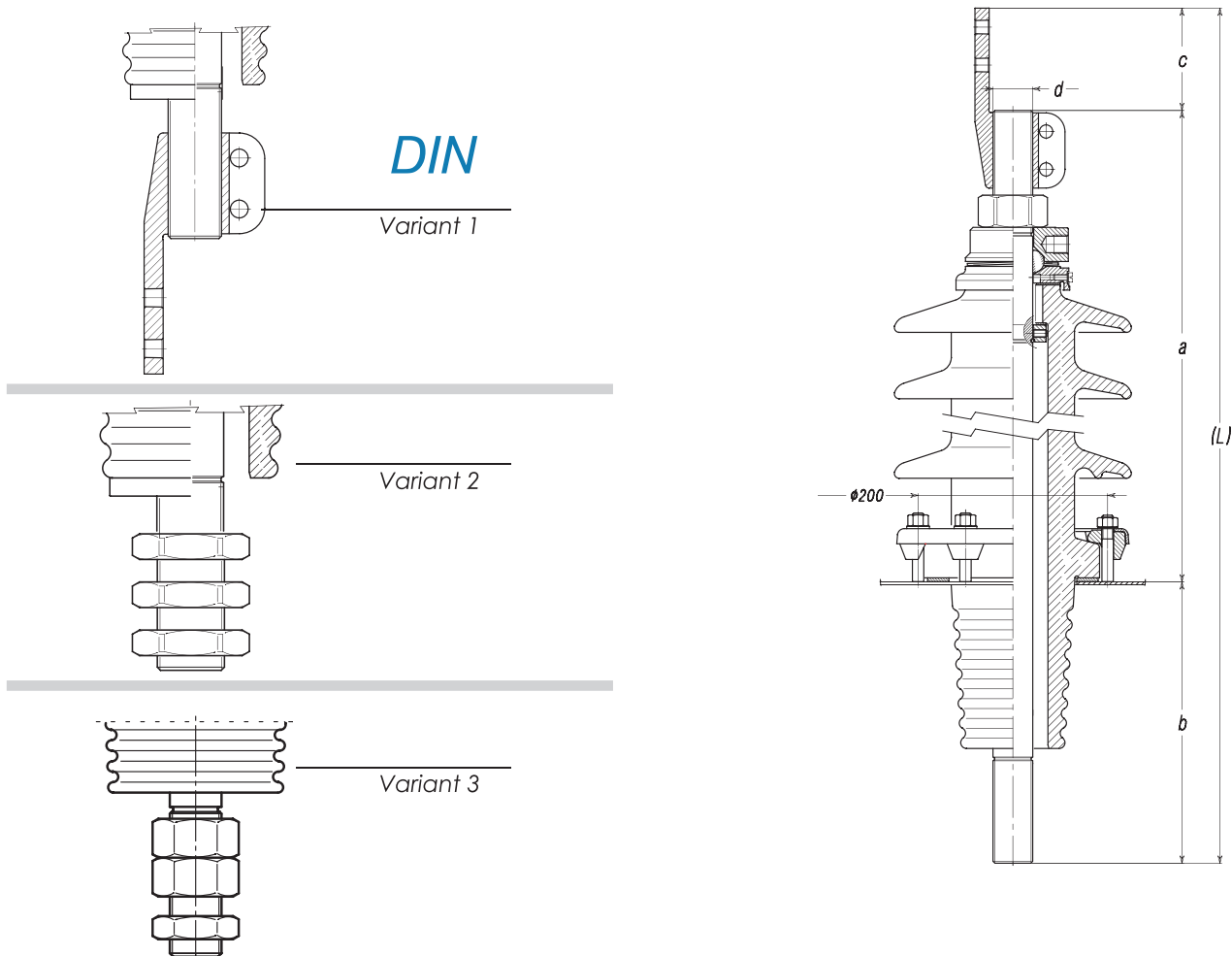
- Alu.



Complete bushings with insulators for transformers DIN 42534
Nominal Voltage until 52 KV - Nominal current 1000 - 2000 - 3150 A

| CLASS | 52 kV - 1000 A | 52 kV - 2000 A | 52 kV - 3150 A |
|--------------|----------------|----------------|----------------|
| <i>d</i> | M30x2 | M42x3 | M48x3 |
| <i>a</i> | 660 | 685 | 690 |
| <i>b</i> | 285 | 295 | 305 |
| <i>c</i> | 60 | 100 | 120 |
| (L) | 945 | 988 | 995 |
| Weight (gr.) | 34200 | 42400 | 47700 |

On request: With lower connection

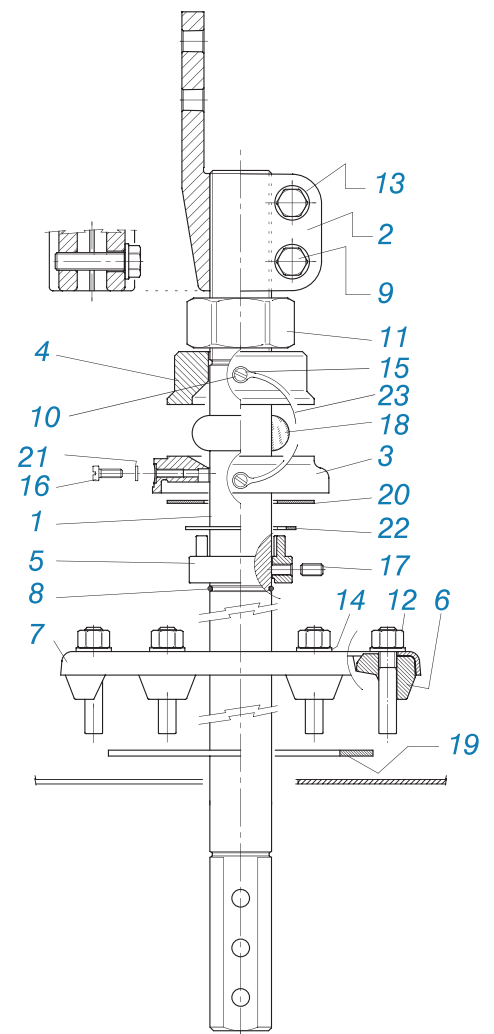




Pass connections for insulators of transformers Nominal Voltage until 52 KV - Nominal current 4500-5000 A

| CLASS | 52 kV - 4500 A | 52 kV - 5000 A |
|-------|----------------|----------------|
|-------|----------------|----------------|

| Pos. refer. | Q. ty | Description |
|-------------|-------|------------------------|
| 1 | 1 | Connecting bolt |
| 2 | 1 | Connecting flag |
| 3 | 1 | Cap |
| 4 | 1 | Disc |
| 5 | 1 | Pressure ring |
| 6 | 6 | Alu. Clamping |
| 7 | 1 | Fixing ring |
| 8 | 1 | Stop ring |
| 9 | 2 | Hexagon head cap screw |
| 10 | 2 | Hexagon head cap screw |
| 11 | 1 | Nut |
| 12 | 6 | Nut |
| 13 | 2 | Flat washer |
| 14 | 6 | Flat washer |
| 15 | 2 | Flat washer |
| 16 | 1 | Exhaust screw |
| 17 | 2 | Grub screw |
| 18 | 1 | J gasket |
| 19 | 1 | N gasket |
| 20 | 1 | M gasket |
| 21 | 1 | PTFE gasket |
| 22 | 1 | O gasket |
| 23 | 1 | Copper wire |



On request: Gasket

Fixing Ring

- NBR
- Viton
- Fl. Silicon
- Silicon
- Klingrit

- Alu.



+



DIN

Complete bushings with insulators

Complete bushings with insulators for transformers
Nominal Voltage until 52 KV - Nominal current 4500-5000 A

| CLASS | 52 kV - 4500 A | 52 kV - 5000 A |
|---------------------|-----------------------|-----------------------|
| <i>d</i> | <i>M55x3</i> | <i>M58x3</i> |
| <i>a</i> | <i>740</i> | <i>740</i> |
| <i>b</i> | <i>300</i> | <i>300</i> |
| <i>c</i> | <i>150</i> | <i>150</i> |
| <i>(L)</i> | <i>1040</i> | <i>1040</i> |
| <i>Weight (gr.)</i> | <i>15200</i> | <i>18560</i> |

On request: With lower connection

